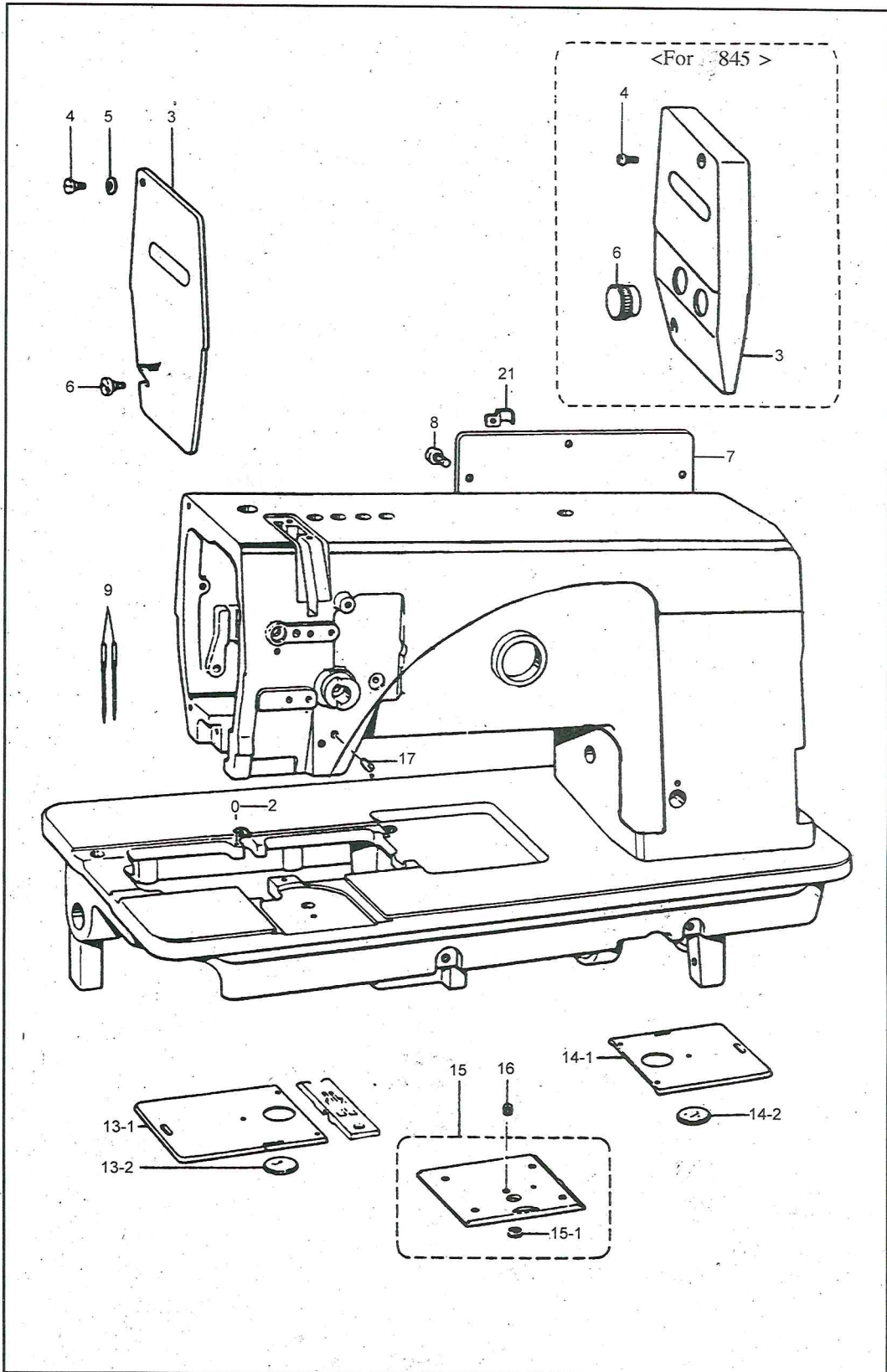


A. 机壳部分/Machine body



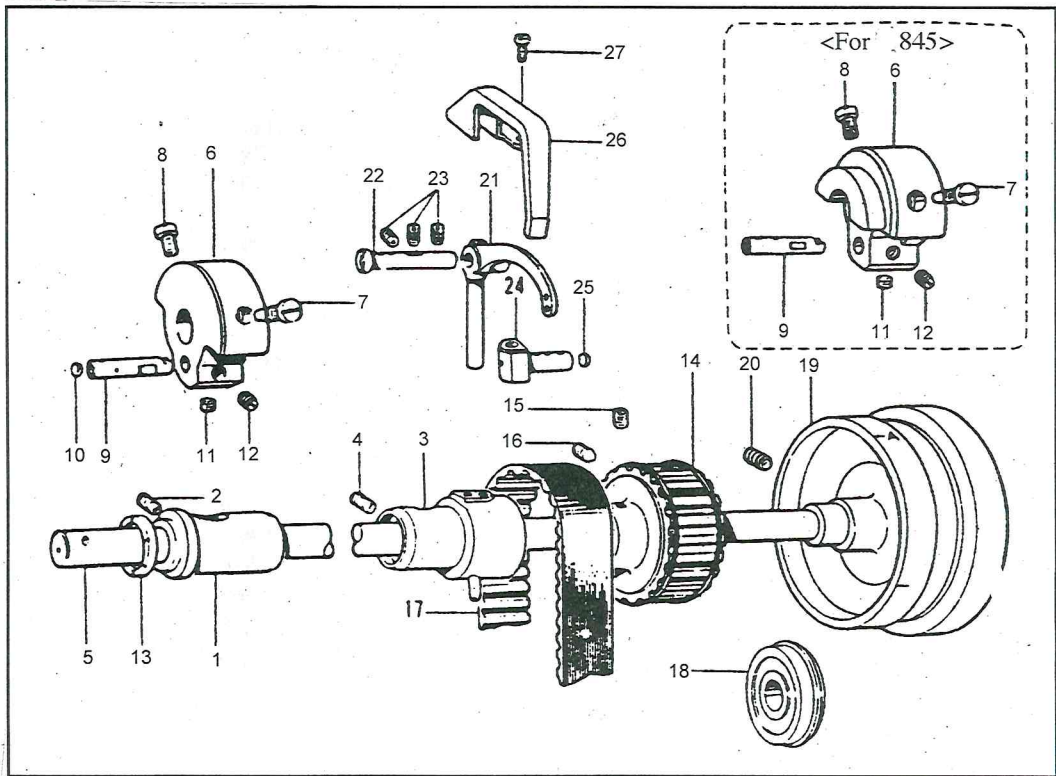
A.机壳部分/Machine body

| 序号 REF NO | 件号 CODE | NAME OF PARTS | 名 称 | 数量 QTY |
|-----------------------|------------|-------------------------|---------|-----------|
| 2 | 113386000 | PIN | 针板销 | 1 |
| 3 | S07316009 | FACE PLATE | 面板 | 1 |
| 4 | S07317001 | STUD SCREW 3.57 | 面板上螺钉 | 1 |
| 5 | 146598001 | APRING WACHIER | 面板上螺钉垫圈 | 1 |
| 6 | 129984002 | SCREW 3.57 | 面板下螺钉 | 1 |
| 7 | S02499009 | REAR COVER | 后窗板 | 1 |
| 8 | 062681012 | SCREW 4.37X8 | 后窗板螺钉 | 7 |
| <-3> | | | | |
| 9 | 107415014 | NEEDLE DPX5(#14) | 机针 | 2 |
| <-5> | | | | |
| 9 | 107415014 | NEEDLE DPX5(#19) | 机针 | 2 |
| <-7> | | | | |
| 9 | 107415014 | NEEDLE DPX5(#22) | 机针 | 2 |
| 13-1 | S34307001 | SLIDE PLATE(L) | 左推板 | 1 |
| 13-2 | S07320000 | BOBBIN WINDOW | 透视窗 | 1 |
| 14-1 | S34310001 | SLIDE PLATE(R) | 右推板 | 1 |
| 14-2 | S34311001 | BOBBIN WINDOW | 透视窗 | 1 |
| 15 | S07320000 | SLIDE PLATE(F)ASSEMBLY | 前推板组件 | 1 |
| 16 | S36663001 | SET SCREW M5X0.8 | 前推板紧定螺钉 | 1 |
| 17 | S34438001 | SET SCREW 4.37 | 螺钉 | 2 |
| <自动切线/THREAD TRIMMER> | | | | |
| 15 | 116010001 | SLIDE PLATE (F)ASSEMBLY | 前推板组件 | 1 |
| 21 | S07327001 | CORD HOLDER | 电线固定板 | 3 |
| < 845 > | | | | |
| 3 | S07327001 | FACE PLATE | 面板 | 1 |
| 4 | 113760001 | SCREW 3.57X10 | 面板上螺钉 | 2 |
| 6 | 159928009 | FACE PLATE CAP | 面板塞 | 2 |

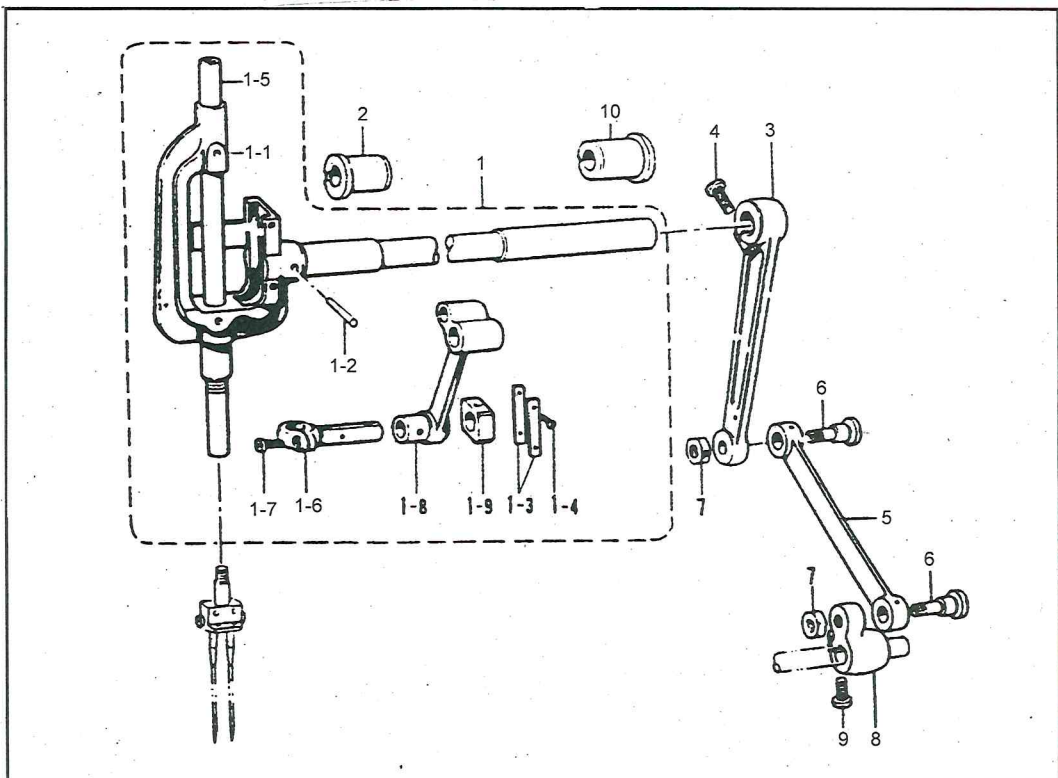
◎印有★符号的零件请参照P32~33页指示

◎Refer to page 32~33 for items marked with an asterisk (★)

B. 上轴机构/Upper shaft mechanism



C. 针杆机构/Needle bar rocking mechanism

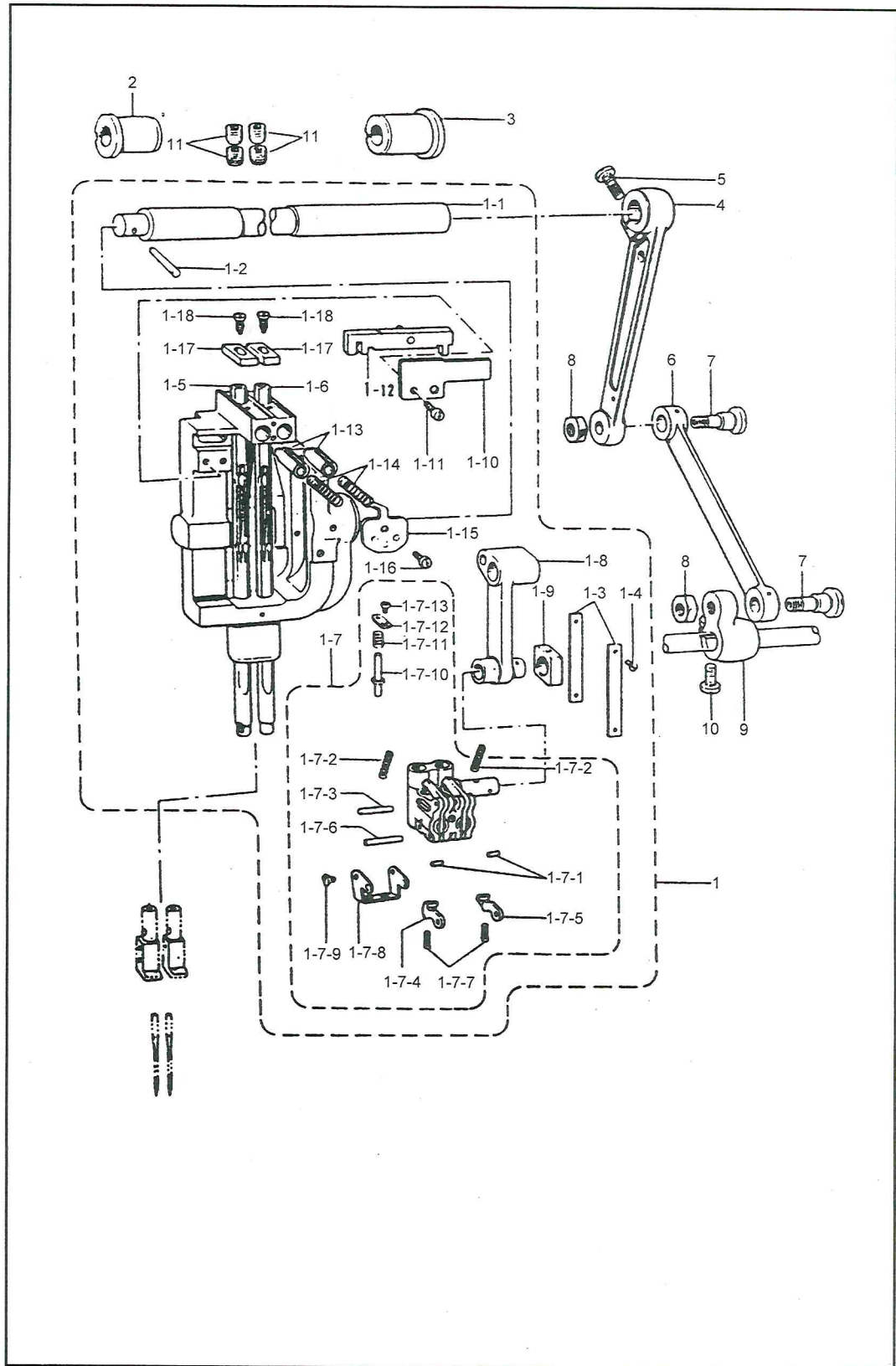


B. 上轴机构/Upper shaft mechanism

| 序号 REF NO | 件号 CODE | NAME OF PARTS | 名 称 | 数量 QTY |
|-----------------------|------------|------------------------------|-----------|-----------|
| 1 | S38270001 | UPPER SHAFT BUSH(L) | 上轴前轴套 | 1 |
| 2 | 014781032 | SET SCREW 6.35 | 上轴前轴套紧定螺钉 | 1 |
| 3 | S07330201 | UPPER SHAFT BUSH (M)ASSEMBLY | 上轴中轴套 | 1 |
| 4 | 014780622 | SET SCREW 6.35 | 上轴中轴套紧定螺钉 | 1 |
| 5 | S07329001 | UPPER SHAFT | 上轴 | 1 |
| 6 | S38396000 | THREAD TAKE-UP CRANK | 针杆曲柄 | 1 |
| 7 | 100250001 | SCREW7.14 | 针杆曲柄定位螺钉 | 1 |
| 8 | 146141001 | SET SCREW7.14 | 针杆曲柄螺钉 | 1 |
| 9 | S38398001 | NEEDLE BAR CRANK | 针杆曲柄销 | 1 |
| 10 | 113014000 | PUSHER | 塞子 | 1 |
| 11 | 101706001 | SET SCREW 6.35 | 针杆曲柄销定位螺钉 | 1 |
| 12 | 100251001 | SET SCREW 6.35 | 针杆曲柄销固定螺钉 | 1 |
| 13 | 112576001 | THREAD TAKE-UP CRANK RING | 上轴前轴套套圈 | 1 |
| 14 | S38242051 | TIMING BELT WHEEL(U)ASSEMBLY | 上齿形带轮 | 1 |
| 15 | 014771022 | SET SCREW 6.35 | 上齿形带轮固定螺钉 | 1 |
| 16 | 016771032 | SET SCREW 6.35X10 | 上齿形带轮定位螺钉 | 1 |
| 17 | S38244000 | TIMING BILT | 同步齿形带 | 1 |
| 18 | 158115001 | BALL BEARING 6204ZZNR | 轴承 | 1 |
| 19 | 144614109 | PULLEY | 上轮 | 1 |
| 20 | S33689002 | SET SCREW 5.95X14 | 上轮螺钉 | 2 |
| < 845 > | | | | |
| 21 | S38392001 | THREAD TAKE-UP | 挑线杆 | 1 |
| < 845 > | | | | |
| 21 | S38392001 | THREAD TAKE-UP | 挑线杆 | 1 |
| 22 | S07334001 | THREAD TAKE-UP SHAFT | 挑线连杆铰链轴 | 1 |
| 23 | 014781032 | SET SCREW 6.35 | 挑线连杆铰链轴螺钉 | 3 |
| 24 | 113024000 | THREAD TAKE-UP SLIDE BLOCK | 挑线杆连接柱 | 1 |
| 25 | 113024000 | PUSHER | 塞子 | 1 |
| 26 | S07339109 | THREAD TAKE-UP COVER | 挑线防护罩 | 1 |
| 27 | 062670512 | SCREW 3.57X5 | 挑线防护罩螺钉 | 2 |
| < 845 > | | | | |
| 24 | 113024000 | THREAD TAKE-UP SLIDE BLODK | 挑线杆连接柱 | 1 |
| 6 | S38396000 | THREAD TAKE-UP CRAND | 针杆曲柄 | 1 |
| 9 | S38398001 | NEEDLE BAR CRANK | 针杆曲柄销 | 1 |
| <自动切线/THREAD TRIMMER> | | | | |
| 19 | 144614109 | PULLEY | 上轮 | 1 |

C. 针杆机构/Needle bar rocking mechanism

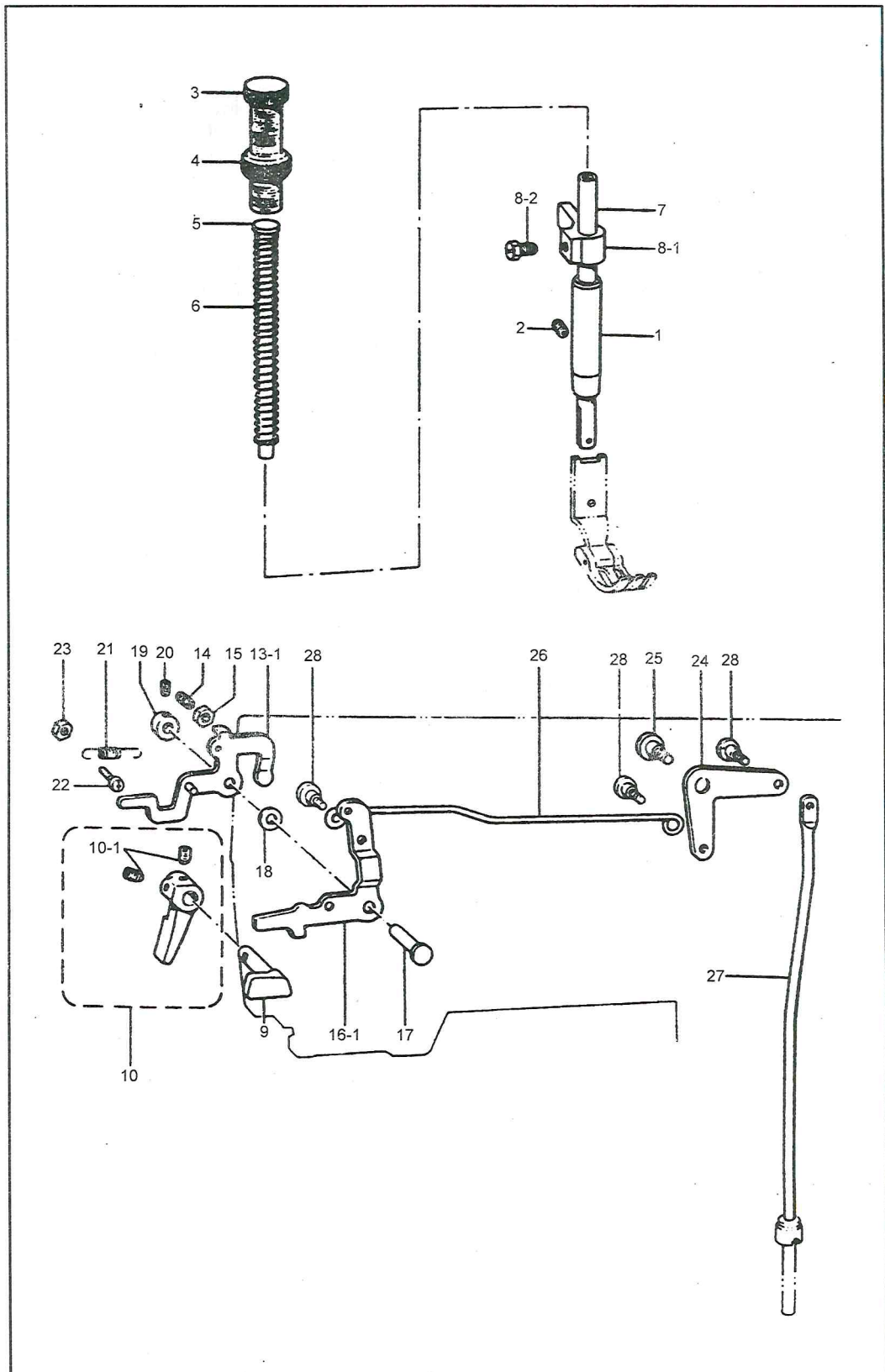
| 序号 | 件 号 | NAME OF PARTS | 名 称 | 数量 |
|-----|-----------|--------------------------------|-----------|----|
| 1 | 159359301 | NEEDLE BAR ROCK SHAFT ASSEMBLY | 针杆支架、摆轴组件 | 1 |
| 1-1 | 112588101 | NEEDLE BAR SUPPORT | 摆针轴 | 1 |
| 1-2 | S30570001 | TAPER PIN | 锥销 | 1 |
| 1-3 | 112590001 | GUIDE PLATE | 导轨衬板 | 2 |
| 1-4 | 102731004 | SCREW 2.38 | 导轨衬板螺钉 | 4 |
| 1-5 | 159360201 | NEEDLE BAR | 针杆 | 1 |
| 1-6 | 112592001 | NEEDLE BAR CLAMP | 针杆连接柱 | 1 |
| 1-7 | 112593001 | SCREW 3.57X8 | 针杆连接柱螺钉 | 1 |
| 1-8 | 112721001 | NEEDLE BAR CRAND ROD | 三眼连杆 | 1 |
| 1-9 | ★ | NEEDLE BAR GUIDE SLIDE BLOCK | 针杆支架滑块 | 1 |
| 2 | 112594001 | NEEDLE BAR ROCK SHAFT BUSH(L) | 摆轴前轴套 | 1 |
| 3 | 112595000 | NEEDLE BAR CONNECTING ROD | 摆轴大连杆 | 1 |
| 4 | 105351002 | SCREW 6.35 | 螺钉 | 1 |
| 5 | 112596101 | NEEDLE BAR ROCK LINK | 摆轴小连杆 | 1 |
| 6 | 112597101 | NEEDLE BAR ROCK LINK STUD | 摆轴连杆螺钉 | 2 |
| 7 | 101268002 | NUT 7.94 | 摆轴连杆螺母 | 2 |
| 8 | 112598001 | NEEDLE BAR CONNECTING CRANK | 摆轴曲柄 | 1 |
| 9 | S01304001 | SCREW 6.35X18 | 摆轴曲柄螺钉 | 1 |
| 10 | 112764001 | NEEDLE BAR ROCK SHAFT BUSH(R) | 摆轴后轴套 | 1 |



C.针杆机构(845用)/Needle bar rocking mechanism(For 845)

| 序号 REF NO | 件号 CODE | NAME OF PARTS | 名 称 | 数量 QTY |
|--------------|------------|--------------------------------|-----------|-----------|
| 1 | 159359301 | NEEDLE BAR ROCK SHAFT ASSEMBLY | 针杆组件 | 1 |
| 1-1 | 112588101 | NEEDLE BAR ROCK SHAFT | 摆针轴 | 1 |
| 1-2 | 107030001 | TAPER PIN | 锥销 | 1 |
| 1-3 | 112590001 | GUIDE PLATE | 导片 | 2 |
| 1-4 | 102731004 | SCREW 2.38 | 螺钉 | 4 |
| <-3,-5> | | | | |
| 1-5 | 159360201 | NEEDLE BAR(L)ASSEMBLY | 针杆 (左) | 1 |
| 1-6 | 112592001 | NEEDLE BAR(R)ASSEMBLY | 针杆 (右) | 1 |
| <-7> | | | | |
| 1-5 | 159360201 | NEEDLE BAR(L)ASSEMBLY | 针杆 (左) | 1 |
| 1-6 | 112592001 | NEEDLE BAR(R)ASSEMBLY | 针杆 (右) | 1 |
| 1-7 | 112593001 | NEEDLE BAR CLAMP ASSEMBLY | 针杆钳组件 | 1 |
| 1-7-1 | 149604001 | PIN 1.5X5.8 | 销 | 2 |
| 1-7-2 | 149605001 | SPRING | 弹簧 | 2 |
| 1-7-3 | 149827001 | PIN 2X15.8 | 销 | 1 |
| 1-7-4 | 149606001 | CLUTCH STOPPER(L) | 离合制止器 (左) | 1 |
| 1-7-5 | 149607001 | CLUTCH STOPPER(R) | 离合制止器 (右) | 1 |
| 1-7-6 | 149608001 | PIN 2X17.8 | 销 | 1 |
| 1-7-7 | 112609001 | SPRING | 弹簧 | 2 |
| 1-7-8 | 149609001 | SPRING HOLDER | 弹簧座 | 1 |
| 1-7-9 | 100105005 | SCREW 2.38 | 螺钉 | 2 |
| 1-7-10 | 149610001 | PIN | 销 | 1 |
| 1-7-11 | 149611101 | SPRING | 弹簧 | 1 |
| 1-7-12 | 149612101 | PIN COVER | 销导片 | 1 |
| 1-7-13 | 114447002 | SCREW 2.38 | 螺钉 | 1 |
| 1-8 | 149613001 | NEEDLE BAR CRANK ROD | 三眼连杆 | 1 |
| 1-9 | 150816001 | SLIDE BLOCK | 针杆支架滑块 | 1 |
| 1-10 | S07574001 | SLIDE BLOCK GUIDE PLATE | 滑动导片 | 1 |
| 1-11 | 062670812 | SCREW 3.57X8 | 螺钉 | 2 |
| 1-12 | S07575001 | SLIDE BLOCK ASSEMBLY | 滑动组件 | 1 |
| 1-13 | 149621001 | NEEDLE BAR STOPPER | 针杆制止器 | 2 |
| 1-14 | 14962201 | SPRING | 弹簧 | 2 |
| 1-15 | 149623001 | SPRING COVER | 弹簧盖 | 1 |
| 1-16 | 060660512 | SCREW 3.18X5 | 螺钉 | 1 |
| 1-17 | 149624001 | NEEDLE BAR ROTATE STOPPER | 针杆防转导块 | 2 |
| 1-18 | 149625001 | SCREW 3.18 | 螺钉 | 2 |
| 2 | 149625001 | NEEDLE BAR ROCK SHAFT BUSH(L) | 摆轴前轴套 | 1 |
| 3 | 112764001 | NEEDLE BAR ROCK SHAFT BUSH(R) | 摆轴后轴套 | 1 |
| 4 | 112595000 | NEEDLE BAR CONNECTING ROD | 摆轴大连杆 | 1 |
| 5 | 105351002 | SCREW 6.35 | 螺钉 | 1 |
| 6 | 112596101 | NEEDLE BAR ROCK LINK | 摆轴小连杆 | 1 |
| 7 | 112597101 | NEEDLE BAR ROCK LINK STUD | 摆轴连杆螺钉 | 2 |
| 8 | 101270001 | NUT 7.94 | 摆轴连杆螺母 | 2 |
| 9 | 112598001 | NEEDLE BAR CONNECTING CRANK | 摆轴曲柄 | 1 |
| 10 | S01304001 | SCREW 6.35X18 | 摆轴曲柄螺钉 | 1 |
| 11 | | SCREW 7.94 | 螺钉 | 4 |

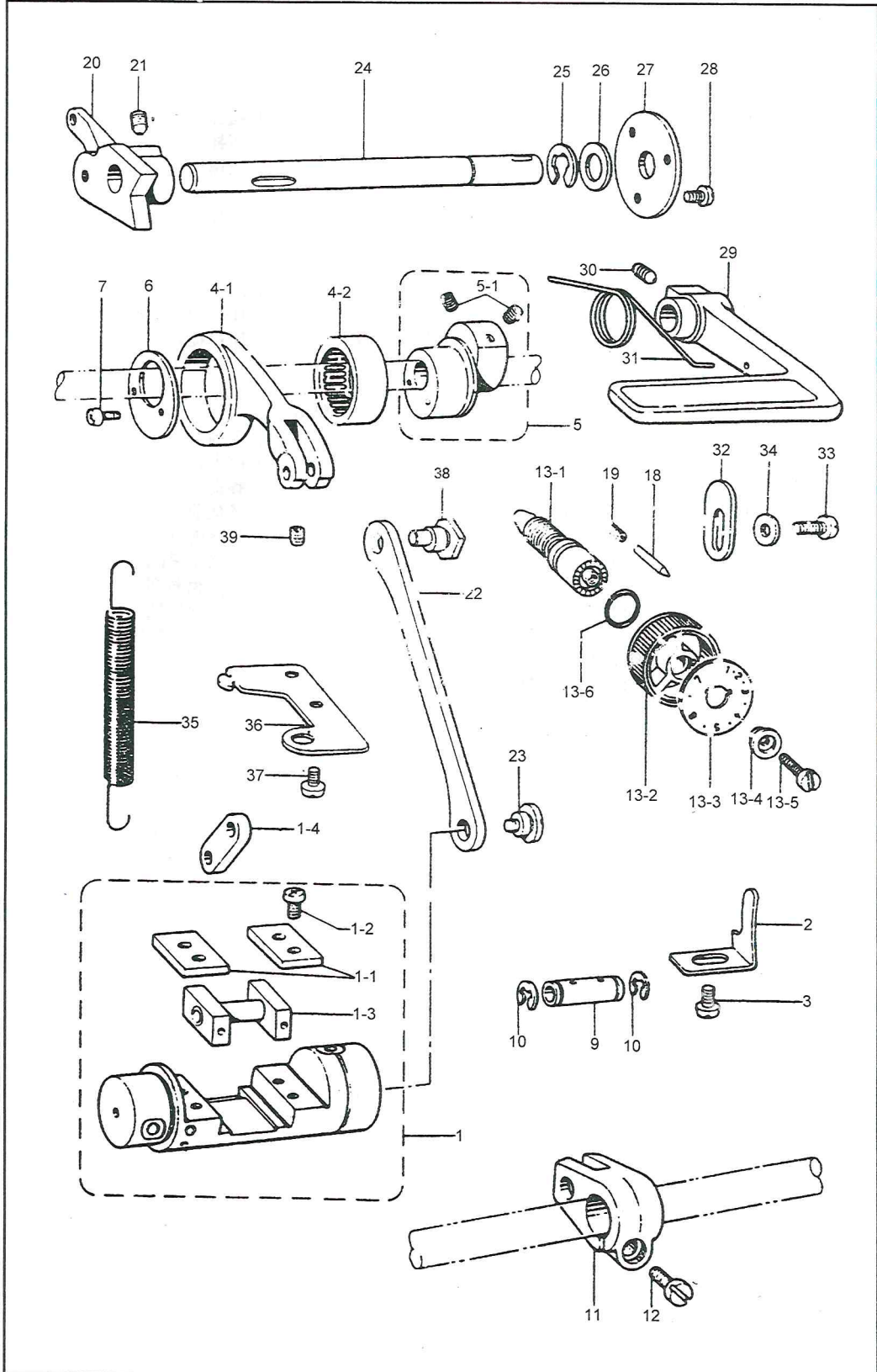
D. 压脚机构/Presser foot mechanism



D.压脚机构/Presser foot mechanism

| 序号 REF NO | 件号 CODE | NAME OF PARTS | 名 称 | 数量 QTY |
|-----------------------|------------|--------------------------------|----------|-----------|
| 1 | 145472001 | PRESSER BAR BUSH | 压杆轴套 | 1 |
| 2 | 014781032 | SET SCREW 6.35 | 压杆轴套螺钉 | 1 |
| 3 | S31012001 | PRESSER ADJUSTING SCREW | 调压螺钉 | 1 |
| 4 | S31013001 | NUT | 调压螺母 | 1 |
| 5 | 141208001 | PRESSER SPRING GUIDE | 压杆弹簧导柱 | 1 |
| 6 | S07346101 | PRESSER SPRING | 压杆弹簧 | 1 |
| 7 | S07345001 | PRESSER BAR | 压杆 | 1 |
| 8-1 | 147513001 | PRESSER BAR GUIDE CLAMP | 压杆导架 | 1 |
| 8-2 | 142403001 | SCREW 5.95 | 压杆导架螺钉 | 1 |
| 9 | S07347101 | PRESSER BAR LIFTER CRANK | 压杆提升凸轮 | 1 |
| 10 | S31006001 | PRESSER BAR LIFTER LEVER | 压脚扳手 | 1 |
| 10-1 | 062351216 | SET SCREW 4.76 | 压脚扳手螺钉 | 2 |
| 13-1 | S07353001 | TENSION RELEASE PLATE ASSEMBLY | 膝提前内板 | 1 |
| 14 | S07356001 | SET SCREW 6.35 | 前内板调压螺钉 | 1 |
| 15 | 150556001 | NUT-6.35 | 前内板调压螺母 | 1 |
| 16-1 | S07348001 | PRESSER LIFTER LEVER | 膝提前外板 | 1 |
| 17 | S07349001 | PRESSER LIFTER LEVER STUD | 膝提前拔销 | 1 |
| 18 | S07350001 | WASHER | 膝提内外板垫 | 1 |
| 19 | 139096001 | SET COLLAR | 前拔销紧圈 | 1 |
| 20 | 014680422 | SET SCREW 4.37 | 前拔销紧圈螺钉 | 2 |
| 21 | S07355001 | PRESSER LIFTER LEVER SPRING | 膝控前板拉簧 | 1 |
| 22 | 062671412 | SCREW 3.57X14 | 膝控前板螺钉 | 1 |
| 23 | 021670102 | NUT 3.57 | 螺母 | 1 |
| 24 | S07358001 | KNEE LIFTER LEVER | 膝控提前升后杠杆 | 1 |
| 25 | 145480101 | STUD SCREW 6.35 | 拉杆螺钉 | 1 |
| 26 | S07357001 | KNEE LIFTER CONNECTOR | 膝拉提升拉杆 | 1 |
| 27 | S07359001 | KNEE LIFTER BAR | 膝拉提升杆 | 1 |
| 28 | 145478101 | STUD SCREW 4.76 | 膝拉提升杆螺钉 | 3 |
| <自动切线/THREAD TRIMMER> | | | | |
| 13-1 | S07353001 | TENSION RELEASE PLATE ASSEMBLY | 膝提前内板 | 1 |

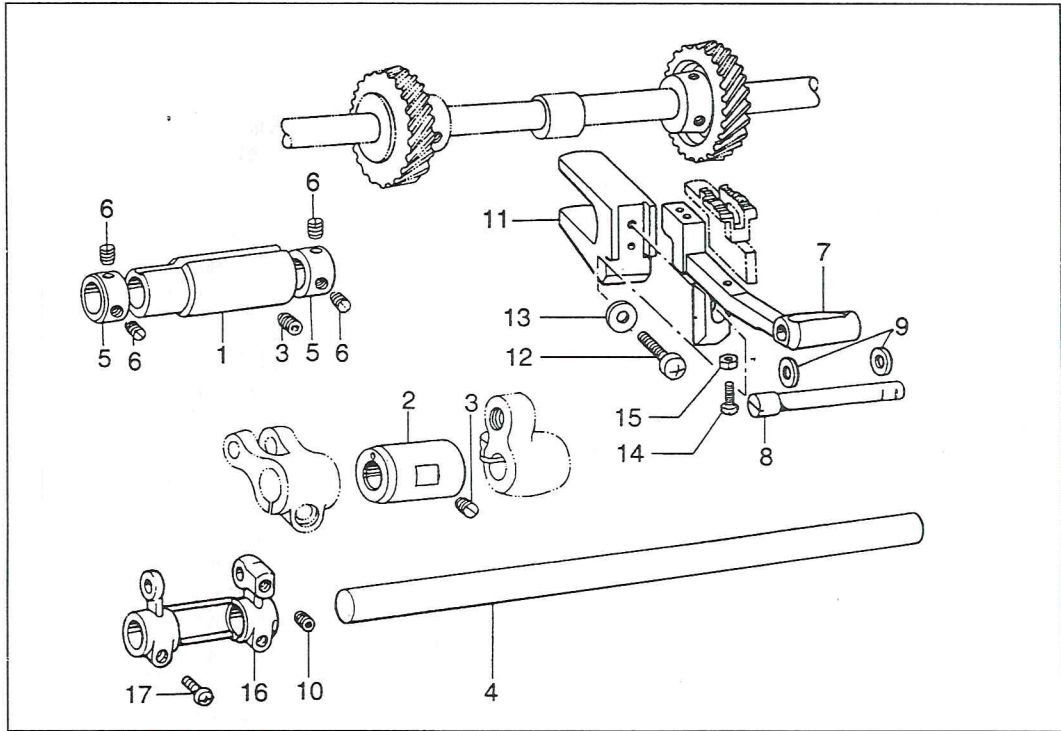
E. 送布机构 / Feed mechanism



E.送布机构/Feed mechanism

| 序号 REF NO | 件号 CODE | NAME OF PARTS | 名 称 | 数量 QTY |
|-----------------------|----------------|--------------------------------|-----------|-----------|
| 1 | S07366001 | FEED REGULATOR ASSEMBLY | 送布调整轴组件 | 1 |
| 1-1 | S07363001 | SLIDE BLOCK GUIDE PLATE | 滑块导板 | 2 |
| 1-2 | 062681012 | SCREW 4.37X10 | 螺钉 | 4 |
| 1-3 | S07364001 | FEED REGULATOR SLIDE ASSEMBLY | 倒缝滑块组件 | 1 |
| 1-4 | 143613001 | FEED ROCK ARM LINK | 送布摇动臂连板 | 1 |
| 2 | S07379001 | FEED REGULATOR STOPPER | 送布调整轴挡片 | 1 |
| 3 | 062710612 | SCREW 4.76X6 | 送布调整轴挡片螺钉 | 1 |
| 4-1 | 143612000 | FEED ROCK CONNECTING ROD | 送布摇动连杆 | 1 |
| 4-2 | 118954000 | NEEDLE BEARING | 针状轴承 | 1 |
| 5 | 148802301 | LEVEL FEED ECCENTRIC WHEEL | 送布偏心轮 | 1 |
| 5-1 | 014771022 | SET SCREW 6.35 | 送布偏心轮螺钉 | 2 |
| 6 | S07378001 | BEARING COVER | 轴承挡片 | 1 |
| 7 | 062670812 | SCREW 3.57X8 | 轴承挡片螺钉 | 2 |
| 9 | 143616001 | FEED ROCK ARM STUD | 送布曲柄销 | 1 |
| 10 | 048060342 | STOP RING E6 | 卡簧 | 2 |
| 11 | 148495001 | FEED ROCK ARM | 送布曲柄 | 1 |
| 12 | S01304001 | SCREW 6.35X18 | 送布曲柄螺钉 | 1 |
| 13-1 | 159361001(845) | LENGTH REGUALATING SCREW | 针距调节螺钉 | 1 |
| 13-2 | 129500010(845) | STITCH LENGTH CONTROL DIAL | 针距表盘 | 1 |
| 13-3 | S07674009(845) | STITCH LENGTH CONTROL PLATE | 针距表盘刻度板 | 1 |
| 13-4 | 142746002 | LENGTH CONTROL PLATE SUPPORTER | 针距表盘套 | 1 |
| 13-5 | 129458002 | SCREW 4.76 | 螺钉 | 1 |
| 13-6 | 108549001 | ORING | 针距调节螺杆O型圈 | 1 |
| 18 | 145502001 | PIN | 止动销 | 1 |
| 19 | 100328001 | SPRING | 止动销弹簧 | 1 |
| 20 | S07368101 | FEED REGULATOR | 针距座 | 1 |
| 21 | 118853001 | SET SCREW 5.95 | 针距座定位螺钉 | 2 |
| 22 | S07369001 | FEED REGULATOR CONNECT LINK | 针距连杆 | 1 |
| 23 | S07370101 | STUD SCREW 5.95 | 针距连杆螺钉 | 1 |
| 24 | S07371001 | FEED REGULATOR LEVER SHAFT | 倒缝扳手轴 | 1 |
| 25 | 048060342 | STOP RING E8 | 卡簧 | 1 |
| 26 | 025100132 | PLAIN WASHER 10 | 倒缝扳手挡板垫圈 | 1 |
| 27 | 147504001 | STOPPER WASHER | 倒缝扳手轴挡板 | 1 |
| 28 | 062670712 | SCREW 3.57X5 | 倒缝扳手挡板螺钉 | 3 |
| 29 | | RECERSE LECER | 倒缝扳手螺钉 | 1 |
| 30 | 118853001 | SET SCREW 5.95 | 螺钉 | 1 |
| 31 | S07375001 | SPRING | 倒缝扳手复位簧 | 1 |
| 32 | S07380001 | RECERSE LEVER STOPPER | 限位板 | 1 |
| 33 | 062711012 | SCREW 4.76X10 | 限位板螺钉 | 1 |
| 34 | 025710232 | PLAIN WASHER 4.76 | 限位螺钉垫圈 | 1 |
| 35 | S07376001 | FEED REGULATOR SPRING | 针距座弹簧 | 1 |
| 36 | S07377001 | SPRING HOOK | 弹簧吊勾 | 1 |
| 37 | 062710612 | SCREW 4.76X10 | 弹簧吊勾螺钉 | 2 |
| 38 | S12698001 | FEED REGULATOR ECCENTRIC WHEEL | 送布调整偏心轴 | 1 |
| 39 | 014760622 | SET SCREW 4.76 | 送布调整偏心轴螺钉 | 1 |
| <自动切线/THREAD TRIMMER> | | | | |
| 24 | S07371001 | FEED REGULATOR LEVER SHAFT | 倒缝扳手轴 | 1 |
| 29 | S07374009 | REVERSE LEVER | 倒缝扳手 | 1 |

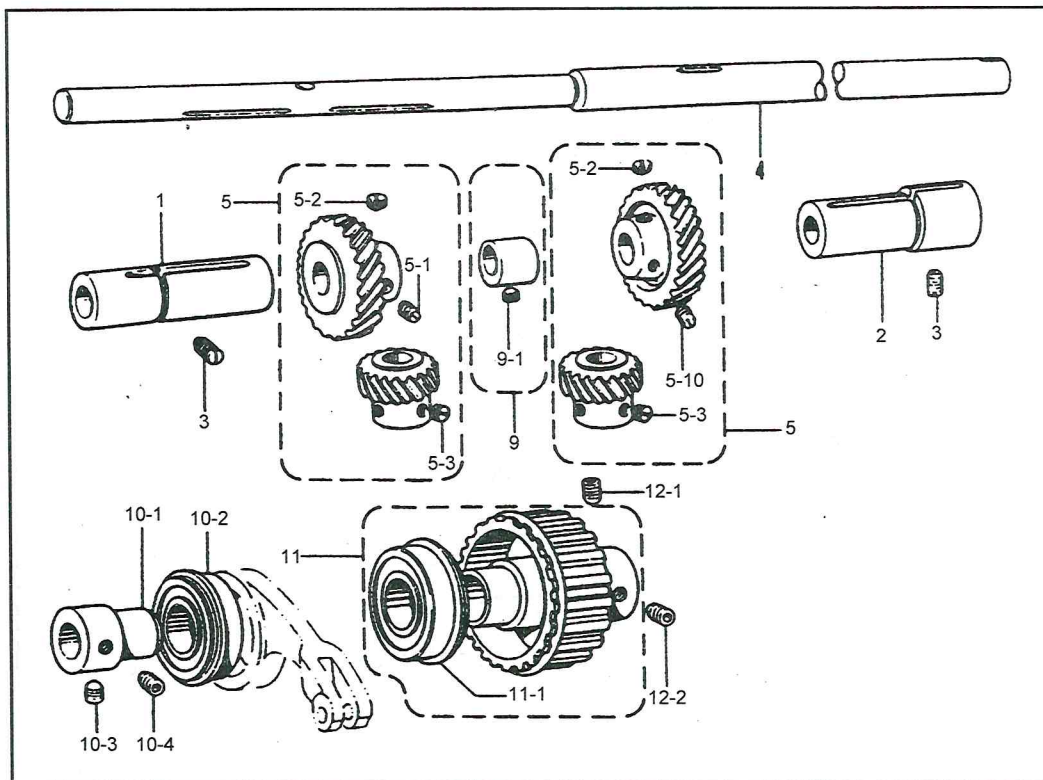
F.送料轴机构 /Feed shaft mechanism



F. 送料轴机构/Feed shaft mechanism

| 序号 REF NO | 件号 CODE | NAME OF PARTS | 名 称 | 数量 QTY |
|---|------------|---------------------|-----------|-----------|
| 1 | 148494001 | FEED SHAFT BUSH(L) | 送料轴前套 | 1 |
| 2 | S07386001 | FEED SHAFT BUSH(R) | 送料轴后套 | 1 |
| 3 | 014781032 | SET SCREW 6.35 | 轴套固定螺钉 | 2 |
| 4 | S38271001 | FEED ROCK SHAFT SET | 送料轴 | 1 |
| 5 | 113074001 | SET COLLAR | 上推环 | 2 |
| 6 | 101706001 | SET SCREW 6.35 | 上推环螺钉 | 4 |
| 7 | S07387001 | FEED BAR | 牙架 | 1 |
| 8 | 148491001 | FEED BAR SHAFT | 牙架销 | 1 |
| 9 | 143591001 | THRUST RING | 牙架销垫圈 | 2 |
| 10 | 014760622 | SET SCREW 4.37 | 牙架销螺钉 | 1 |
| 11 | 112656001 | FEED BAR FORK | 抬牙叉 | 1 |
| 12 | 062761412 | SCREW 5.95X14 | 抬牙叉固定螺钉 | 1 |
| 13 | 025060132 | PLAIN WASHER | 抬牙叉固定螺钉垫圈 | 1 |
| 14 | 062661212 | SCREW 3.18X12 | 送料牙调整螺钉 | 1 |
| 15 | 021660102 | NUT 3.18 | 送料牙调整螺母 | 1 |
| <hr style="border-top: 1px dashed black;"/> | | | | |
| <自动切线/THREAD TRIMMER> | | | | |
| 16 | S38272000 | FEED ROCK BASE ARM | 牙架曲柄 | 1 |
| 17 | 062681212 | FEED BAR | 牙架曲柄螺钉 | 1 |

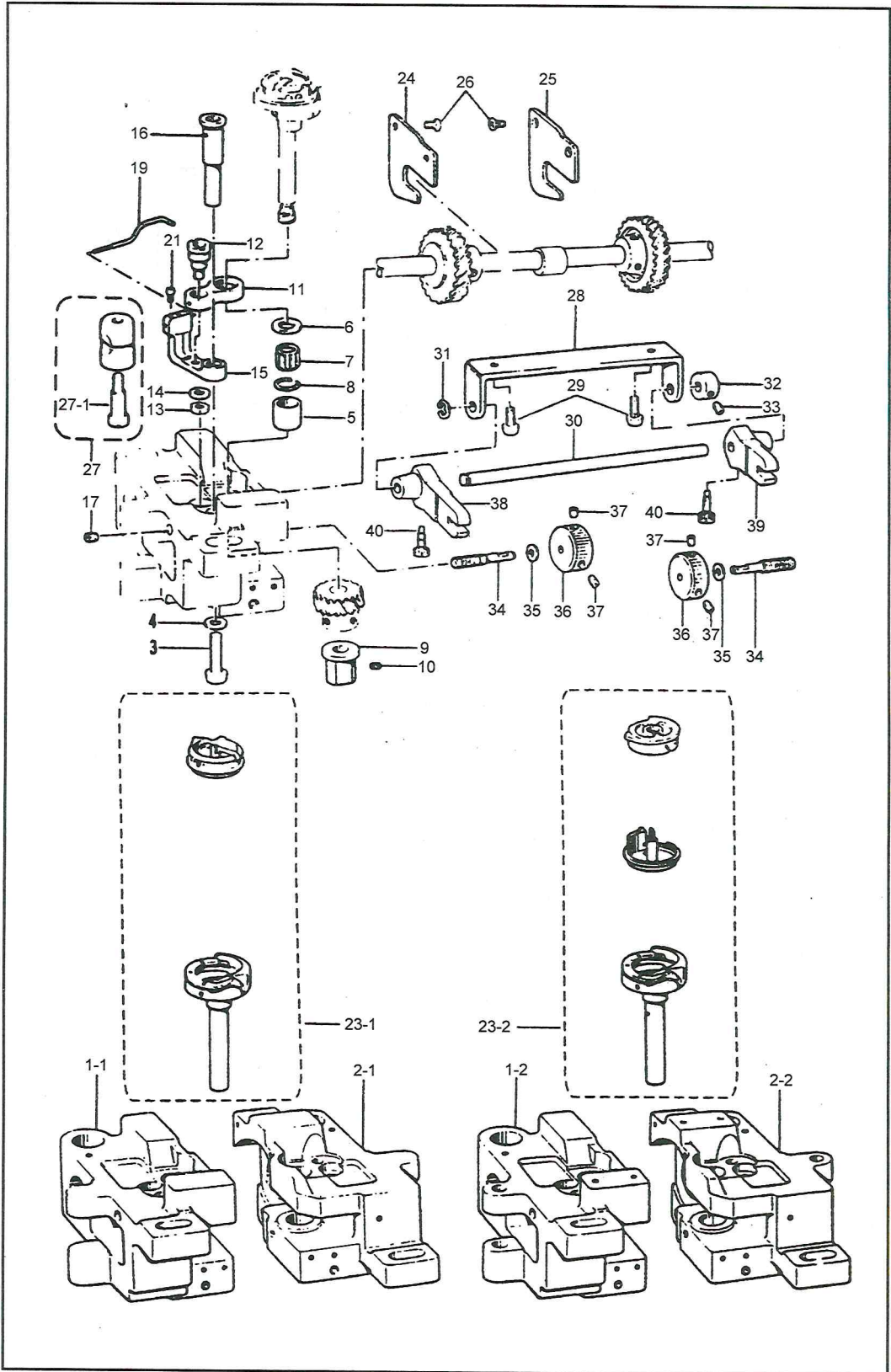
J. 下轴机构 /Lower shaft mechanism



J. 下轴机构/Feed shaft mechanism

| 序号 REF NO | 件号 CODE | NAME OF PARTS | 名 称 | 数量 QTY |
|------------------------------------|------------|-------------------------------|--------------|-----------|
| 1 | S38293000 | ROTARY HOOK BASE BUSH(L) | 下轴前轴套 | 1 |
| 2 | S38249001 | ROTARY HOOK BASE BUSH(R) | 下轴中轴套 | 1 |
| 3 | 014781032 | SET SCREW 6.35 | 轴套螺钉 | 2 |
| 4 | S38253001 | LOWER SHAFT | 下轴 | 1 |
| 5 | S12445001 | SPIRAL GEAR ASSEMBLY(A) | 梭轴齿轮组件 | 2 |
| 5-1 | 112684001 | SET SCREW 6.36 | 齿轮定位螺钉 | 2 |
| 5-2 | 100251001 | SET SCREW 6.35 | 固定螺钉 | 4 |
| 5-3 | 131007001 | SET SCREW 6.35 | 齿轮螺钉 | 6 |
| 9 | 181486001 | VERTICAL FEED ECCENTRIC WHEEL | 抬牙偏心轮 | 1 |
| 9-1 | 112684001 | SET SCREW 6.35 | 抬牙偏心轮螺钉 | 1 |
| 10-1 | S07447001 | BALL BEARING RUSH | 轴承衬套组件 | 1 |
| 10-2 | 072600480 | BALL BEARING 6004ZZNR | 滚珠轴承6004ZZNR | 1 |
| 10-3 | 148821001 | SET SCREW 6.35 | 轴承衬套定位螺钉 | 1 |
| 10-4 | 014771022 | SET SCREW 6.35 | 轴承衬套螺钉 | 1 |
| 11 | S38237001 | TIMING PULLEY (D)ASSEMBLY | 下齿形带轮组件 | 1 |
| 11-1 | 072600480 | BALL BEARING 6204ZZNR | 滚珠轴承6204ZZNR | 1 |
| 12-1 | 014771022 | SET SCREW 6.35 | 下齿形带轮螺钉 | 1 |
| 12-2 | 148821001 | SET SCREW 6.35 | 下齿形带轮定位螺钉 | 1 |
| <自动切线/THREAD TRIMMER> | | | | |
| 4 | S38252001 | LOWER SHAFT | 下轴 | 1 |
| 11 | S12445001 | TIMING PULLEY (D) ASSEMBLY | 下齿形带轮组件 | 1 |

H. 旋梭机构 / Rotary hook mechanism



H.旋梭机构/Rotary hook mechanism

| 序号 REF NO | 件号 CODE | NAME OF PARTS | 名 称 | 数量 QTY |
|-----------------------|------------|----------------------------------|----------|-----------|
| 3 | 062782512 | SCREW 6.35X25 | 梭架固定螺钉 | 2 |
| 4 | 100197002 | WASHER | 梭架固定螺钉垫圈 | 2 |
| < 845 > | | | | |
| 5 | S07418001 | ROTARY HOOK SHAFT BUSH(U) | 梭轴上轴套 | 2 |
| 15 | 110161006 | OPENER LEVER | 分线摆动连杆 | 2 |
| < 845 > | | | | |
| 5 | S07418001 | ROTARY HOOK SHAFT BUSH(U) | 梭轴上轴套 | 2 |
| 15 | 110161006 | OPENER LEVER | 分线摆动连杆 | 2 |
| 7 | S07420000 | NEEDLE BAARING | 滚针轴承 | 2 |
| 8 | S07419001 | STOP RING | 梭轴上轴套挡圈 | 2 |
| 9 | S07417001 | ROTARY HOOK SHAFT BUSH(D) | 梭轴下轴套 | 2 |
| 10 | 013710512 | SET SCREW 4.76 | 梭轴下轴套螺钉 | 2 |
| 11 | 112692101 | OPENER LINK | 分线连杆 | 2 |
| 12 | S38211051 | OPENER LINK SHAFT | 分线连杆连接轴 | 2 |
| 13 | 148005001 | NUT 4.76 | 螺母 | 2 |
| 14 | 025710232 | PLAIN WASHER 4.76 | 垫圈 | 2 |
| 16 | S13021001 | OPENER LEVER SHAFT | 摆动杆轴 | 2 |
| 17 | 013711012 | SET SCREW 4.76 | 摆动杆轴固定螺钉 | 2 |
| 19 | S38212001 | OPENER | 分线勾 | 2 |
| 21 | 154965001 | SET SCREW 3.18 | 分线勾固定螺钉 | 4 |
| 23-1 | ★ | ROTARY HOOK ASSEMBLY | 旋梭组件 | 2 |
| 23-2 | ★ | ROTARY HOOK ASSEMBLY | 旋梭组件 | 2 |
| 24 | S07436001 | GEAR GUIDE | 齿轮挡片 (左) | 1 |
| 25 | S07437001 | GEAR GUIDE | 齿轮挡片 (右) | 1 |
| 26 | 108960002 | SCREW 3.57 | 齿轮挡片螺钉 | 4 |
| 27 | S07658001 | PING SLEEVE ASSEMBLY | 销紧套和管组件 | 2 |
| 27-1 | 112700001 | SCREW 5.95 | 销紧套管螺钉 | 2 |
| 28 | S07430001 | ADJUSTING BAR SUPPORTER | 调整杆支架 | 1 |
| 29 | 062711012 | SCREW 4.76X10 | 螺钉 | 2 |
| 30 | S07431001 | ADJUSTING BAR | 调整杆 | 1 |
| 31 | 048040342 | STOP PING E4 | 调整杆卡簧 | 1 |
| 32 | 159436001 | SET COLLAR | 止推环 | 1 |
| 33 | 014680622 | SET SCREW 4.37 | 止推环螺钉 | 1 |
| 34 | S07434101 | ROTARY HOOK BASE ADJUSTING SCREW | 梭架调整螺栓 | 2 |
| 35 | 025680132 | PLAIN WASHER 4.37 | 梭架调整垫片 | 2 |
| 36 | S07435001 | ROTARY HOOK BASE ADJUSTING DIAL | 调整旋钮 | 2 |
| 37 | 014680622 | SET SCREW 4.37 | 旋钮紧固螺钉 | 4 |
| 38 | S34436001 | ADJUSTING FORKED LEVER(L) | 调整叉杆 (左) | 1 |
| 39 | S34435001 | ADJUSTING FORKED LEVER(R) | 调整叉杆 (右) | 1 |
| 40 | 131226001 | NEEDLE SET SCREW 3.57 | 调整叉杆固定螺钉 | 2 |
| < 842 > | | | | |
| 1-1 | S07416201 | ROTARY HOOK BASE(L) | 梭架 (左) | 1 |
| 2-1 | S07414201 | ROTARY HOOK BASE(R) | 梭架 (右) | 1 |
| 6 | S07421001 | THRUST RING(A)1.5MM | 轴承端盖 | 2 |
| < 845 > | | | | |
| 4-2 | S07416201 | ROTARY HOOK BASE(L) | 梭架 (左) | 1 |
| 2-2 | S07414201 | ROTARY HOOK BASE(R) | 梭架 (右) | 1 |
| 6 | S07421001 | THRUST RING(A)1.2MM | 轴承端盖 | 2 |
| <自动切线/THREAD TRIMMER> | | | | |
| 1-1 | S07416201 | ROTARY HOOK BASE(L) | 梭架 (左) | 1 |
| 2-1 | S07414201 | ROTARY HOOK BASE(R) | 梭架 (右) | 1 |
| 6 | S07421001 | THRUST RING(A)1.7MM | 轴承端盖 | 2 |
| <自动切线/THREAD TRIMMER> | | | | |
| 1-2 | S07416201 | ROTARY HOOK BASE(L) | 梭架 (左) | 1 |
| 2-2 | S07414201 | ROTARY HOOK BASE(R) | 梭架 (右) | 1 |
| 6 | S07421001 | THRUST RING(A)1.4MM | 轴承端盖 | 2 |

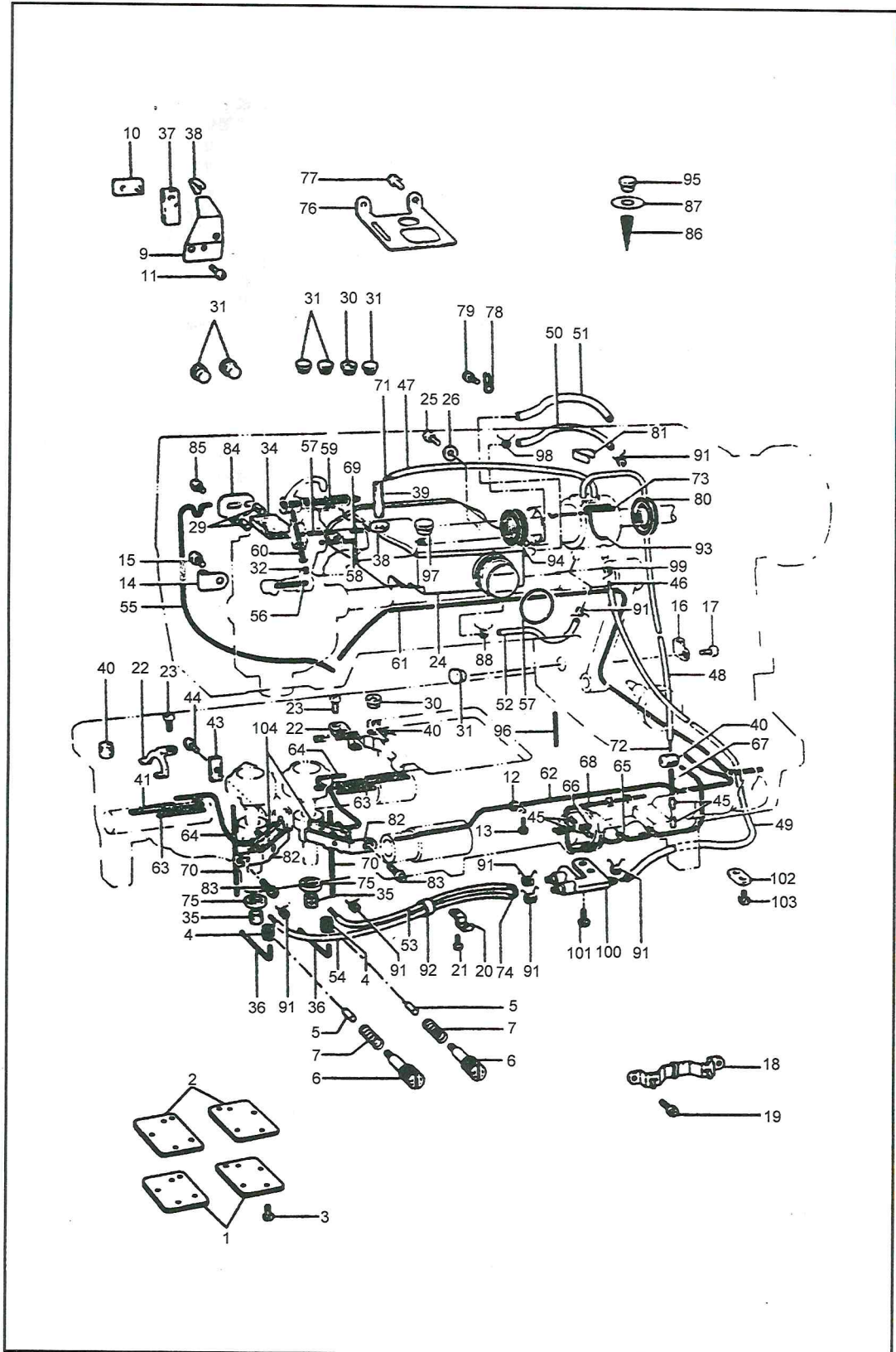
◎印有★符号的零件请参照P31页指示

◎Refer to page 31 for items marked with an asterisk (★)

k. 润滑机构/Lubrication

| 序号 REF NO | 件号 CODE | NAME OF PARTS | 名 称 | 数量 QTY |
|--------------|------------|----------------------------|-----------|-----------|
| 1 | S07448001 | ROTARY HOOK BASE COVER | 梭架盖 | 2 |
| 2 | S07449000 | ROTARY HOOK BASE PACKING | 梭架垫片 | 2 |
| 3 | 062670815 | SCREW 3.57X8 | 回油盒螺钉 | 8 |
| 4 | S07477000 | RUBBER RING | 油量调节套 | 2 |
| 5 | S07478000 | RUBBER PRESSER | 油量调节塞 | 2 |
| 6 | S38292001 | OIL ADJUSTING SCREW | 油量调节螺钉 | 2 |
| 7 | S38299001 | SET SPRING | 油量调节簧 | 2 |
| 9 | 150988001 | OIL STOPPER PLATE | 挡油板 | 1 |
| 10 | 112717001 | OIL STOPPER PLATE PRESSER | 挡油压板 | 1 |
| 11 | 062711212 | SCREW 4.76X12 | 挡油板螺钉 | 1 |
| 12 | 112743001 | WICK SUPPORTER | 送料轴油线支架 | 1 |
| 13 | 060670512 | SCREW 3.57X5 | 送料轴油线支架螺钉 | 1 |
| 16 | 112739001 | WICK SUPPORTER | 油线支架 | 1 |
| 17 | 062670512 | SCREW 3.57X5 | 油线支架螺钉 | 1 |
| 18 | 143673001 | WICK HOLDER | 油线支架 | 1 |
| 19 | 062660412 | SCREW 3.18X4 | 油线支架螺钉 | 2 |
| 20 | 142268001 | CORD HOLDER(L) | 油管支架 | 1 |
| 21 | 062670512 | SCREW 3.57X5 | 螺钉 | 1 |
| 22 | S07471001 | WICK HOLDER | 油线支架 | 2 |
| 23 | 062670512 | SCREW 3.57X5 | 螺钉 | 2 |
| 24 | S38417001 | OIL TAND ASSEMBLY | 油盒组件 | 1 |
| 25 | 062711012 | SCREW 4.76X8 | 油盒盖螺钉 | 2 |
| 26 | 025710232 | PLAIN WASHER 4.76 | 油盒盖螺钉垫片 | 2 |
| 27 | 081030070 | O RING P30 | 油窗O形圈 | 1 |
| 30 | 140890009 | OIL CAP | 油塞 | 2 |
| 31 | 104821009 | OIL CAP | 油塞 | 5 |
| 32 | 142274009 | OIL CAP | 油塞 | 2 |
| 34 | S07474000 | FELT | 毛毡 | 1 |
| 35 | 151927001 | CLUTCH FELT | 毛毡 | 2 |
| 36 | S07476000 | FELT | 毛毡 | 2 |
| 37 | 148762001 | FELT | 毛毡 | 1 |
| 38 | S38269000 | UPPER SHAFT BUSH(L)FELT | 上轴前套毛毡 | 1 |
| 39 | S07571000 | FELT | 毛毡 | 1 |
| 40 | 112753001 | FELT | 毛毡 | 3 |
| 41 | 113362001 | ROTARY HOOK BASE BUSH@FELT | 梭架轴前套毛毡 | 2 |
| 43 | 112759001 | FELT | 毛毡 | 1 |
| 44 | 100257010 | SCREW 3.57 | 螺钉 | 1 |
| 45 | 148743001 | FELT | 毛毡 | 4 |
| 46 | S07460100 | WIRE | 油线 | 1 |
| 47 | S07453000 | OIL TUBE | 油管 | 1 |
| 48 | S07454000 | OIL TUBE | 油管 | 1 |
| 49 | S07455100 | OIL TUBE | 油管 | 1 |
| 50 | S07456000 | OIL TUBE | 油管 | 1 |
| 51 | S07457100 | OIL TUBE | 油管 | 1 |
| 52 | S07810000 | OIL TUBE | 油管 | 1 |
| 53 | S07458100 | OIL TUBE | 油管 | 1 |
| 54 | S07459100 | OIL TUBE | 油管 | 1 |
| 55 | S07465000 | WICK(20CM) | 油线 | 1 |
| 56 | 112728001 | WICK(5CM) | 油线 | 1 |
| 57 | 114693001 | WICK(3CM) | 油线 | 1 |
| 58 | 112735000 | WICK(4.5CM) | 油线 | 1 |
| 59 | S36670000 | WICK(13CM) | 油线 | 1 |
| 60 | S03289001 | WICK4X4(4CM) | 油线 | 1 |
| 61 | 112736000 | WICK(44CM) | 油线 | 1 |
| 62 | 152974001 | WICK4X4(35CM) | 油线 | 1 |
| 63 | S38481000 | WICK(3.2CM) | 油线 | 2 |
| 64 | 108802001 | WICK(25CM) | 油线 | 2 |

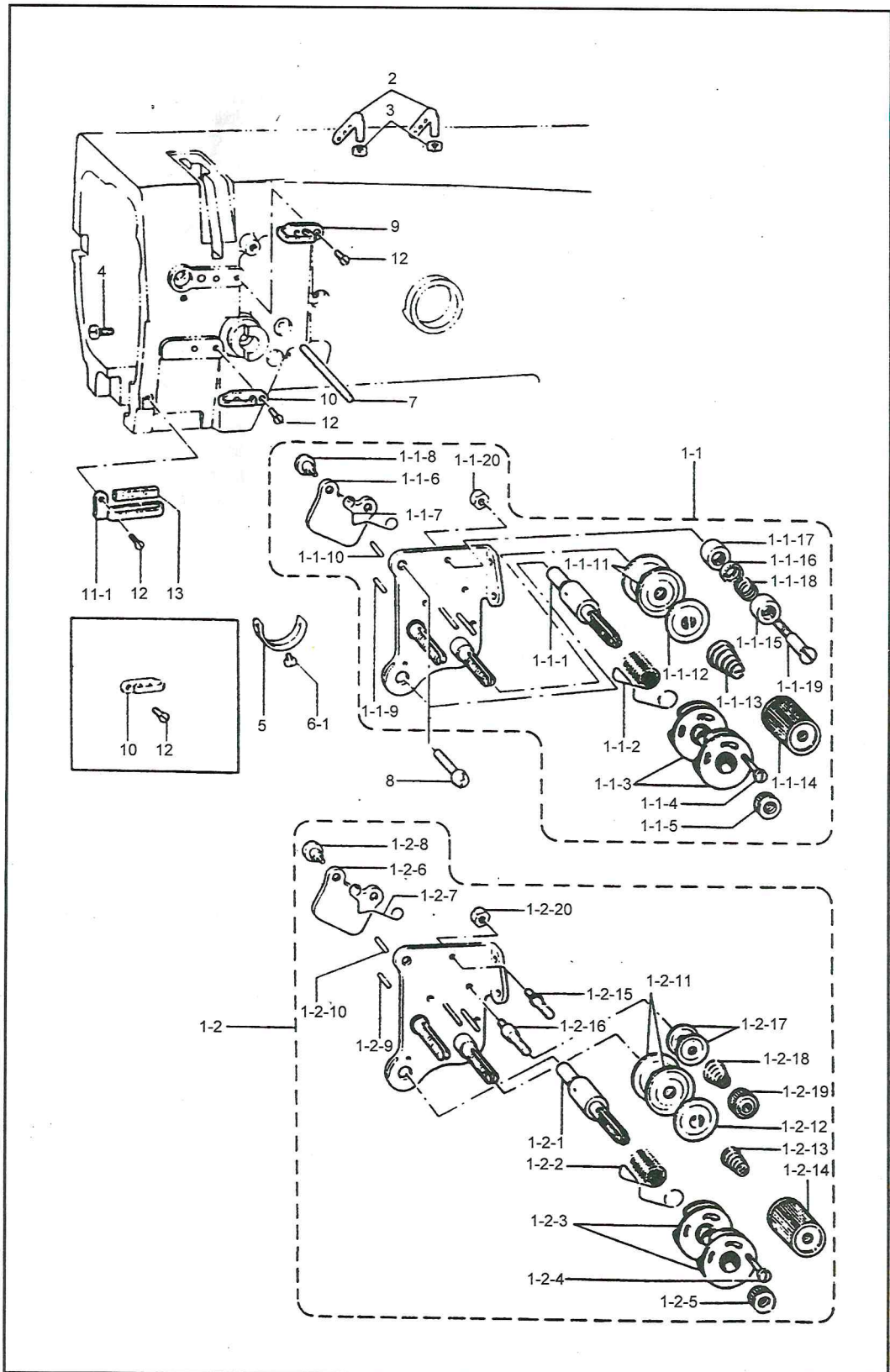
K. 潤滑部份 / Lubrication



K. 润滑机构/Lubrication

| 序号 REF NO | 件号 CODE | NAME OF PARTS | 名 称 | 数量 QTY |
|--------------|------------|-------------------|----------|-----------|
| 65 | 108802001 | WICK 4X4(25MM) | 油线 | 1 |
| 66 | S03289001 | WICK 4X4(4MM) | 油线 | 1 |
| 67 | 111191001 | WICK (3.5MM) | 油线 | 1 |
| 68 | 112750000 | WICK (11MM) | 油线 | 1 |
| 69 | S07462000 | WICK (2.5MM) | 油线 | 1 |
| 70 | S07463000 | WICK (7MM) | 油线 | 2 |
| 71 | S34184000 | WICK 4X4(30MM) | 油线 | 1 |
| 73 | S03289001 | WICK 4X4(4MM) | 油线 | 1 |
| 74 | S07464100 | WICK (53MM) | 油线 | 1 |
| 75 | 156070002 | SPACER | 毛毡支座 | 2 |
| 76 | S07466001 | DUST PROTECTOR | 防尘盖 | 1 |
| 77 | 062670512 | SCREW 3.57X8 | 防尘盖螺钉 | 2 |
| 78 | S07467001 | TUBE HOLDER | 油管支架 | 1 |
| 79 | 062680812 | SCREW 4.37X8 | 油管支架螺钉 | 1 |
| 80 | S07468000 | OIL SEAL | 油封 | 1 |
| 82 | S21195001 | WICK HOLDER | 油线支架 | 2 |
| 83 | 062670512 | SCREW 3.57X8 | 油线支架螺钉 | 2 |
| 86 | S07473000 | OIL FILTER | 滤油网 | 1 |
| 87 | S07481009 | OIL SEAT | 注油标贴 | 1 |
| 92 | 146253000 | OIL TUBE | 油管 | 1 |
| 93 | S09369000 | WICK(7CM) | 油线 | 1 |
| 94 | S09364000 | OIL SEAL | 油封 | 1 |
| 95 | 112758009 | OIL CAP | 油盖 | 1 |
| 96 | 111191001 | WICK(3.5CM) | 油线 | 1 |
| 97 | 104821009 | OIL CAP | 油盖 | 1 |
| 98 | S027876001 | TUBE CLAMP | 油管夹头 | 2 |
| 99 | S07876001 | TUBE CLAMP | 油管夹头 | 1 |
| 100 | S14189100 | TERMINAL | 油管接头 | 1 |
| 101 | 062670612 | SCREW 3.57X6 | 油管接头螺钉 | 2 |
| 103 | 062670612 | SCREW 3.57X6 | 螺钉 | 1 |
| < 842 > | | | | |
| 9 | 150988001 | OIL STOPPER PLATE | 挡油板 | 1 |
| 14 | 112719001 | FELT HOLDER(U) | 毛毡支架 (| 1 |
| 15 | 112720101 | FELT HOLDER(D) | 毛毡支架 (上) | 1 |
| 84 | S07472001 | INTERRUPT PLATE | 护板 下) | 1 |
| 85 | 062670512 | SCREW 3.57X5 | 螺钉 | 2 |
| 88 | S07469001 | TUBE CLAMP | 油管夹头 | 7 |
| < 845 > | | | | |
| 16 | 112739001 | WICK SUPPOIT | 油线支架 | |
| 17 | 062670512 | SCREW 357X5 | 油线支架螺钉 | |

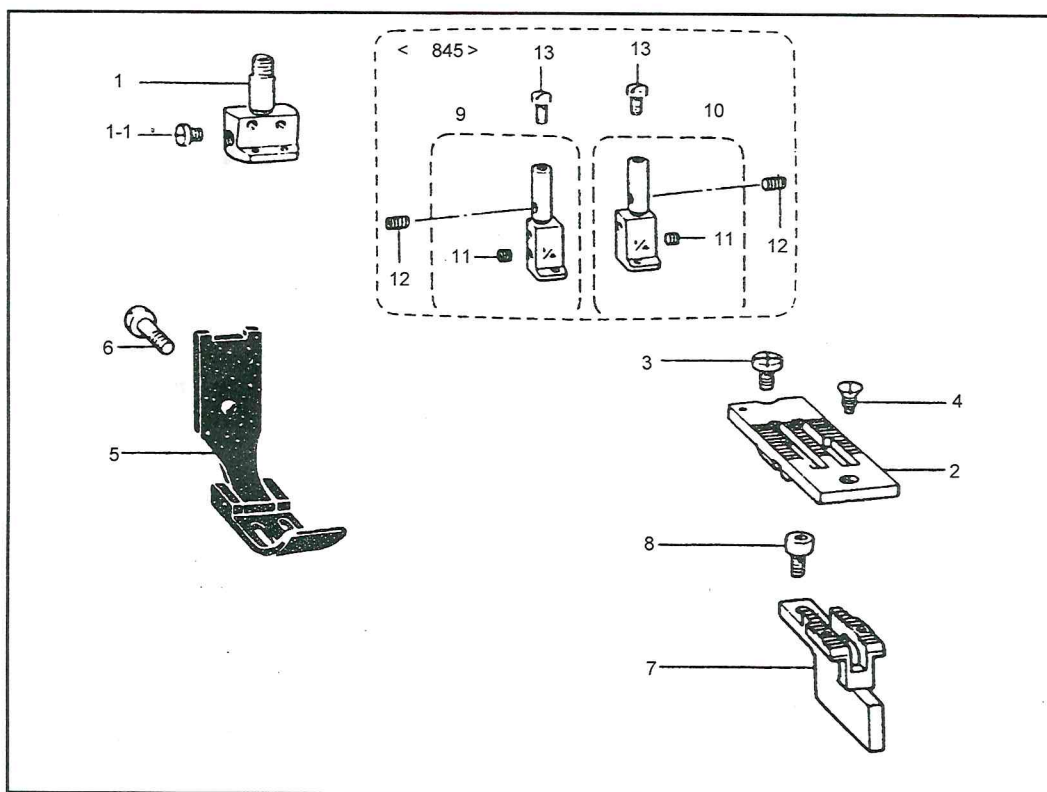
L. 过线压线机构 / Threading mechanism



L .过线压线机构/Thread mechanism

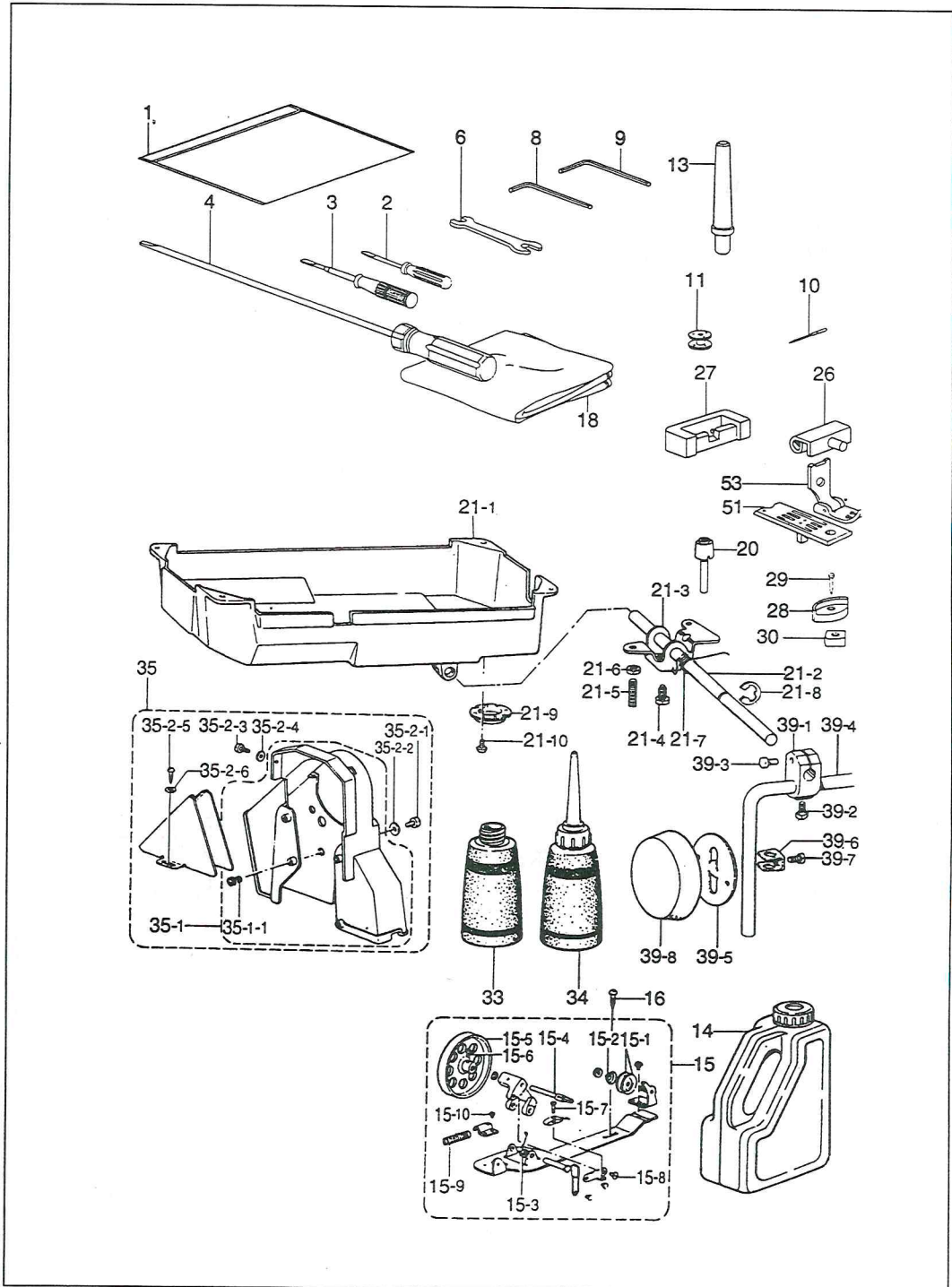
| 序号 REF NO | 件号 CODE | NAME OF PARTS | 名 称 | 数量 QTY |
|-------------------------|------------|--------------------------------|-----------|-----------|
| 2 | 140527001 | THREAD RETAINER | 三眼线勾 | 2 |
| 3 | 150553003 | NUT 5.95 | 三眼线勾螺母 | 2 |
| 4 | 100064002 | SCREW 3.57 | 挑线簧螺栓紧固螺钉 | 1 |
| 5 | 112709007 | STOPPER | 挑线簧调整板 | 1 |
| 6-1 | 062670512 | SCREW 3.57X5 | 挑线簧调整板螺钉 | 1 |
| 7 | S07493001 | TENSION RELTASE BAR | 松线顶杆 | 1 |
| 8 | 062680812 | SCREW 4.37X8 | 夹线器固定螺钉 | 1 |
| 9 | 108266001 | ARM THREAD GUIDE(U) | 上过线勾 | 1 |
| 12 | 108960002 | SCREW 3.57 | 线勾螺钉 | 3 |
| 1-1-1 | 144680001 | TENSION STUD | 挑线簧螺栓 | 1 |
| 1-1-2 | 155491001 | THREAD TAKE-UP SPRING | 挑线簧 | 1 |
| 1-1-3 | 108254001 | SPRING GUIDE ASSEMBLY | 挑线导线器组件 | 2 |
| 1-1-4 | 144682001 | SCREW 2.38 | 螺钉 | 1 |
| 1-1-5 | 108265009 | TENSION NUT | 夹线螺母 | 1 |
| 1-1-6 | S07487001 | TENSION RELEASE PLATE | 松线板 | 1 |
| 1-1-7 | 118320001 | TENSION RELEASE SPRING | 松线板簧 | 1 |
| 1-1-8 | 112712001 | STUD SCREW 3.57 | 松线板螺钉 | 2 |
| 1-1-9 | 158769001 | TENSION RELEASE PIN(R) | 松线针 (L) | 1 |
| 1-1-10 | S07488001 | TENSION RELEASE PIN(L) | 松线针 (R) | 1 |
| 1-1-11 | 145446001 | TENSION DISC | 夹线板 | 4 |
| 1-1-12 | 159805001 | TENSION DISE PRESSER | 夹线压板 | 2 |
| <-3> | | | | |
| 1-1-13 | 144105000 | TENSION SPRING | 夹线簧 | 2 |
| <-5> | | | | |
| 1-1-13 | 144105000 | TENSION SPRING | 夹线簧 | 2 |
| 1-1-14 | 14956609 | TENSION NUT | 夹线螺母 | 2 |
| 1-1-20 | 021670102 | NUT 3.57 | 螺母 | 2 |
| <标准用/STANDARD> | | | | |
| 1-1 | ★ | NEEDLE THREAD TENSION ASSEMBLY | 夹线器组件 | 1 |
| 1-1-15 | 144685001 | THREAD GUIDE CAP | 夹线螺母 | 2 |
| 1-1-16 | 144686001 | THREAD GUIDE DISC | 夹线片 | 2 |
| 1-1-17 | 144687001 | THREAD GUIDE BRACKET | 夹线压板 | 2 |
| 1-1-18 | 144688001 | THREAD GUIDE SPRING | 夹线簧 | 2 |
| 1-1-19 | 144689001 | THREAD GUIDE STUD SCREW | 夹线螺钉 | 2 |
| 10 | 112658001 | ARM GHREAD GUIDE(M) | 大线勾 | 1 |
| 11-1 | 112715001 | ARM THREAD GUIDE(D) | 导线夹 | 1 |
| 13 | 114941001 | FELT | 毛毡 | 1 |
| <自动切线/STANDARD TRIMMER> | | | | |
| 1-2 | ★ | NEEDLE THREAD TENSION ASSEMBLY | 夹线器组件 | 1 |
| 1-2-15 | 158771001 | THREAD GUIDE SHAFT(L) | 夹线螺钉 (左) | 1 |
| 1-2-16 | 158771001 | THREAD GUIDE SHAFT(R) | 夹线螺钉 (右) | 1 |
| 1-2-17 | 144504001 | THREAD GUIDE DISC | 夹线片 | 4 |
| 1-2-18 | 15460001 | PRE-TENSION SPRING(A) | 夹线簧 | 2 |
| 1-2-19 | 155510001 | TENSION NUT | 夹线螺母 | 2 |
| 10 | 112658001 | ARM THREAD GUIDE(M) | 导线夹 | 2 |

G.针组零件 / GAUGE PARTS



G.针组零件/Gauge parts

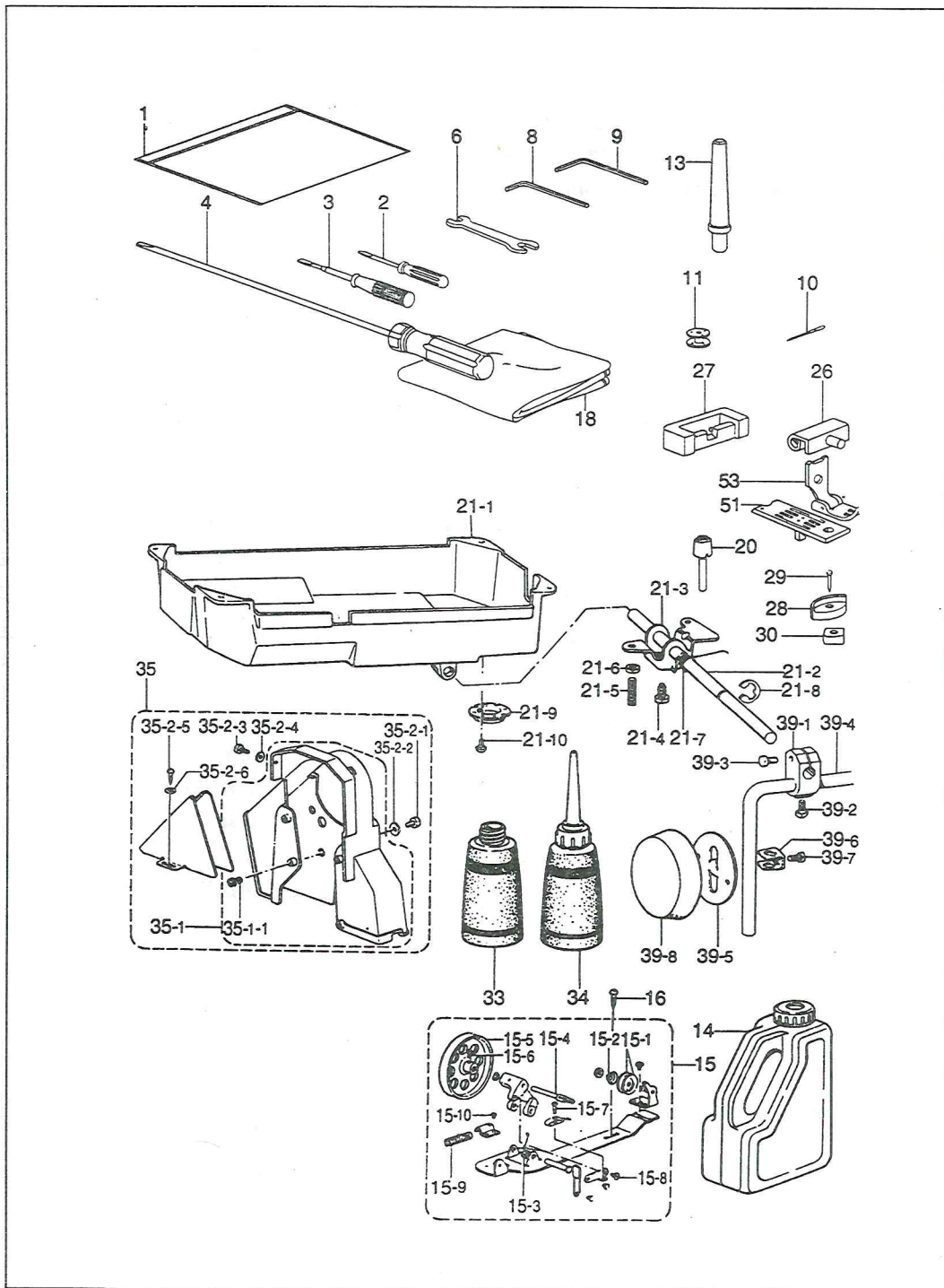
| 序号 REF NO | 件号 CODE | NAME OF PARTS | 名 称 | 数量 QTY |
|--------------|------------|-----------------------|--------|-----------|
| 1-1 | ★ | SCREW 3.57 | 螺钉 | 2 |
| 2 | ★ | NEEDLE PLATE ASSEMBLY | 针板 | 1 |
| 3 | S11244001 | SCREW 4.37 | 螺钉 | 1 |
| 4 | 100032004 | SCREW 4.37 | 螺钉 | 1 |
| 5 | ★ | PRESES FOOT ASSEMBLY | 压脚 | 1 |
| 6 | 113050001 | SCREW 3.57 | 螺钉 | 1 |
| 7 | ★ | FEED DOG | 送布牙 | 1 |
| 8 | S07494001 | SCREW 3.18 | 螺钉 | 2 |
| < 842 > | | | | |
| 1 | ★ | NEEDLE CLAMP ASSEMBLY | 针夹 | 1 |
| < 845 > | | | | |
| 9 | ★ | NEEDLE CLAMP ASSEMBLY | 针夹 (左) | 1 |
| 10 | ★ | NEEDLE CLAMP ASSEMBLY | 针夹 (右) | 1 |
| 11 | 013660412 | SCREW 3.18X4 | 螺钉 | 2 |
| 12 | S13085001 | SCREW 3.18 | 螺钉 | 2 |
| 13 | 149831101 | SCREW 3.18 | 螺钉 | 2 |



Z1.附属部份/Accessories

| 序号 REF NO | 件号 CODE | NAME OF PARTS | 名 称 | 数量 QTY |
|--------------|------------|------------------------------|-------------|-----------|
| 1 | 122991001 | ACCESSORY BAG | 附件袋 | |
| 2 | 142443001 | SCREW DRIVER, 1.9X52 | 螺丝刀 (大) | |
| 3 | 118837001 | SCREW DRIVER, 3.4X70 | 螺丝刀 (中) | |
| 4 | S17774001 | SCREW DRIVER, 4.7X250 | 螺丝刀 (小) | |
| 6 | 100887001 | SPANNER | 双头扳手 | |
| 8 | 142002001 | HEXAGONAL WRENCH 2 | 六角扳手 (小) | |
| 9 | 142721001 | HEXAGONAL WRENCH3 | 六角扳手 (大) | |
| 10 | 107415011 | NEEDLE DPX5 (#14) | 机针DPX5(#14) | |
| 11 | 112781101 | BOBBIN, ST | 梭芯 | |
| 13 | 100477009 | HEAD REST | 机头支柱 | |
| 14 | 154702101 | OIL TANK | 油壶 | |
| 15 | 117963110 | BOBBIN WINDER ASSY | 绕线器组件 | |
| 15-1 | 145446003 | TENSION DISC | 过线夹线板 | |
| 15-2 | 100401001 | TENSION SPRING | 过线夹线簧 | |
| 15-3 | 117969001 | SPRING | 弹簧 | |
| 15-4 | 117970001 | BOBBIN WINDER SHAFT | 绕线轴 | |
| 15-5 | S18634001 | BOBBIN WINDER | 绕线轮 | |
| 15-6 | 100366002 | SET SCREW, (FT)SM4/37X5 | 螺钉 | |
| 15-7 | 100657001 | SCREW, SM3.18 | 螺钉 | |
| 15-8 | 100659001 | SHOULDER SCREW WHEEL STOPPER | 螺钉 | |
| 15-9 | 100662001 | BOBBIN WINDER WHEEL STOPPER | 止动橡皮 | |
| 15-10 | S39086001 | SCREW, PAN SM3.57-40X3.5 | 螺钉 | |
| 16 | 100666002 | WOOD SCREW, ROUND M5.5X20 | 木制螺钉 | |
| 18 | 144222001 | HEAD COVER | 机头罩 | |
| 20 | 145573000 | KNEE LIFER COMPLYING BAR | 膝控提升顶杆 | |
| 21 | S38297001 | OIL PAN ASSY | 油盘组件 | |
| 21-1 | S38273000 | OIL PAN | 油盘 | |
| 21-2 | S38276001 | OIL PAN KNEE LIFTER SHAFT | 膝控铰链轴 | |
| 21-3 | 146037001 | KNEE LIFTER | 膝控限位架 | |
| 21-4 | 146367001 | BOLT, SM5.95 | 膝控限位架螺钉 | |
| 21-5 | 104885101 | SET SCREW, SM5.95 | 膝控限位调节螺钉 | |
| 21-6 | 100022004 | NUT, SM5.95 | 膝控限位调节螺母 | |
| 21-7 | S15889001 | TWIST SPRING | 膝控复位簧 | |
| 21-8 | 146293001 | RETAINING RING, E10 | 开口挡圈 | |
| 21-9 | 153230101 | DRAIN | 排油圈 | |
| 21-10 | 062670512 | SCREW, PAN SM5.57-40X5 | 排油圈螺钉 | |



Z1. 附属部份/Accessories



Z1.附件部份/Accessories

| 序号 REF NO | 件号 CODE | NAME OF PARTS | 名 称 | 数量 QTY |
|--------------|------------|--------------------------------|------------|-----------|
| 26 | 143882001 | HEND HINGE | 机头勾座 | 2 |
| 27 | 143910009 | RUBBER CUSHION | 橡皮垫 | 2 |
| 28 | 148890109 | HEAD CUSHION | 机头防震垫片 | 4 |
| 29 | 109714000 | NAIL | 钉子 | 8 |
| 30 | S07561009 | OIL PAN CUSHIN | 机头防震钉块 | 1 |
| 33 | 114486002 | OILER | 小油壶 | 1 |
| 34 | 114483002 | OILER ASSY | 油壶 | 1 |
| 35 | 183480009 | BELT COVER ASSY | 上皮带防护罩组件 | 1 |
| 35-1 | S08468009 | BELT COVER COLLAR ASSY | 上皮带防护罩 | 4 |
| 35-1-1 | S07660000 | RUBBER COLLAR | 上皮带防护罩橡皮胶圈 | 4 |
| 35-2-1 | 062712012 | SCREW, PAN SM4.76-32 X 20 | 上皮带防护罩固定螺钉 | 4 |
| 35-2-1 | 025050332 | WASHER, PALIN L5 | 螺钉垫圈 | 1 |
| 35-2-3 | 062680812 | SCREWPAN SM4.37-40 X 8 | 上皮带防护罩固定螺钉 | 1 |
| 35-2-4 | 025680232 | WASHER, PLAN M4.37 | 螺钉垫圈 | 2 |
| 35-2-5 | 100666002 | WOOD SCREW , ROUND M5.5 X 20 | 下皮带防护罩木螺钉 | 2 |
| 35-2-6 | 025750132 | WASGER, PLAIN S5.56 | 木螺钉垫圈 | 1 |
| 39 | 181427001 | KNEE LIFTER ASSY | 膝控碰块配件 | 1 |
| 39-1 | 146039001 | KNEE LIFTER JOINT | 碰块弯杆接头 | 1 |
| 39-2 | 100463001 | BOLT, SM7.94 | 弯杆接头支头螺钉 | 1 |
| 39-3 | 017762013 | BOLT, SM5.95 X 20 | 弯杆接头锁紧螺钉 | 1 |
| 39-4 | 104619002 | KNEE LIFTER BAR | 膝控碰块弯杆 | 1 |
| 39-5 | 114966001 | KNEE LIFTER PLATE | 膝控碰块 | 1 |
| 39-6 | 114967001 | KNEE LIFTER PLATE STOPPER | 碰块架 | 1 |
| 39-7 | 110087001 | BOLT,SM5.95 | 碰块垫螺栓 | 1 |
| 39-8 | 140503001 | KNEE LIFTER PLATE COVER | 碰块垫 | 1 |
| | | OPTION PARTS | 备用零件 | |
| 37 | | HEIGHT GAUGE, PORTRY HOOK B831 | ----- | 1 |
| 38 | | GAUGE, NEEDLE&PRESSER BAR | ----- | 1 |

旋梭厂牌及规格对照表

| ★ | 23-1 | ★ | 23-2 |
|------------|---|------------|---|
| |  | |  |
| 842 | (Koban)KRT12-5M | 845 | (Koban)KRT12-5LM |
| | (Hirose)HSH-12-15L | | (Hirose)HSH-12-15MM |
| 842- | (Koban)KRT12-5BFC1 | 845- | (Koban)KRT12-5LMKC1 |
| (-3)(-5)80 | (Hirose)HSH-12-15L(TR1) | (-3)(-5)80 | (Hirose)HSH-12-15MM(3)TR |
| 842 | (Koban)SKRT12-5MK | 845 | (Koban)SKRT12-5LMK |
| | (Hirose)HSH-12-15LC+CP-12C | | (Hirose)HSH-12MC+CP-12MC |
| 842 | (Koban)SKRT12-5BFKC | 845 | (Koban)SKRT12-5LMKC1 |
| (-3)(-5)80 | (Hirose)HSH-12-15LTR1+CP-12CTR1 | (-3)(-5)80 | (Hirose)HSH-12MC(3)+CP-12MC(3) |

针距组件对照表/GAUGE PARTS LIST 842(标准用) /FOR 842(Standard)

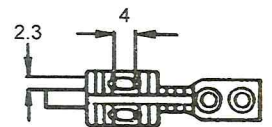
| 针距 Needle Gauge | 分级 Subclass | X-1 | X-2 | X-7 | X-5 | A13-1 |
|--------------------|----------------|---|---|---|---|--|
| | | 针夹 Needle Clamp Assembly  | 针板 Needle Plate  | 送布牙 Feed Dog  | 压脚 Presser Foot Assembly  | 左滑板 Slide Plate (L)Assembly  |
| 3/32~(2.4mm) | -3 | 42100332-00 | 42200332-00 | 42300332-01 | 4240332-00 | 42A013-0101 |
| | -5 | | | 42300332-02 | | |
| 1/8~(3.2mm) | -3 | 42100108-00 | 42200108-00 | 42300108-01 | 42400108-00 | |
| | -5 | | | 42300108-02 | | |
| 5/32~(4.0mm) | -3 | 42100532-00 | 42200532-00 | 42300532-01 | 42400532-00 | |
| | -5 | | | 42300532-02 | | |
| 3/16~(4.8mm) | -3 | 42100316-00 | 42200316-00 | 42300316-01 | 42400316-00 | |
| | -5 | | | 42300316-02 | | |
| 1/4~(6.4mm) | -3 | 42100104-00 | 42200104-00 | 42300104-01 | 42400104-00 | |
| | -5 | | | 42300104-02 | | |
| | -7 | | | ★42300104-03 | | |
| 5/16~(7.9mm) | -3 | 42100516-00 | 42200516-00 | 42300516-01 | 42400516-00 | |
| | -5 | | | 42300516-02 | | |
| 3/8~(9.5mm) | -3 | 42100308-00 | 42200308-00 | 42300308-01 | 42400308-00 | |
| | -5 | | | 42300308-02 | | |
| 1/2~(12.7mm) | -3 | 42100102-00 | 42200102-00 | 42300102-01 | 42400102-00 | |
| | -5 | | | 42300102-02 | | |
| 5/8~(15.9mm) | -3 | 42100508-00 | 42200508-00 | 42300508-01 | 42400508-00 | |
| | -5 | | | 42300508-02 | | |
| 1~(25.4mm) | -3 | 42110000-00 | 42210000-00 | 42310000-01 | 42410000-00 | |
| | -5 | | | 42310000-02 | | |
| 1 1/4~(31.8mm) | -3 | 42110104-00 | 42210104-00 | 42310104-01 | 42410104-00 | |
| | -5 | | | 42310104-02 | | |
| 1 3/8~(34.9mm) | -3 | 42110308-00 | 42210308-00 | 42310308-01 | 42410308-00 | |
| | -5 | | | 42310308-02 | | |
| 1 1/2~(38.1mm) | -3 | 42110102-00 | 42210102-00 | 42310102-01 | 42410102-00 | |
| | -5 | | | 42310102-02 | | |
| ※2~(50.8mm) | -3 | 42120000-00 | 42220000-00 | 42320000-01 | 42420000-00 | |
| | -5 | | | 42320000-02 | | |

◎印有★符号的为厚料用。其针孔尺寸如右图所示。

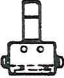


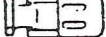


◎Needle hole dimensions for heavy materials(indicated by a ★) are shown in figure at the right

◎印有此※符号之针距仅供LJ842使用

◎This mark ※ For 842 use only

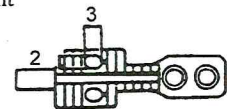


842 (切线用) /For 842 (Thread Trimmer)

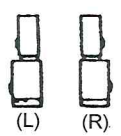



| 针距 Needle Gauge | 分级 Subclass | X-1 | X-2 | X-7 | X-5 | A13-1 | R-14 |
|--------------------|----------------|---|---|--|---|--|--|
| | | 针夹 Needle Clamp Assembly  | 针板 Needle Plate  | 送布牙 Feed Dog  | 压脚 Presser Foot Assembly  | 左滑板 Slide Plate (L)Assembly  | 扫线杆 Thread wiper  |
| 1/8"(3.2mm) | -3 | 42100108-00 | 42200108-10 | 42300108-11 | 42400108-00 | 42A013-0101 | 42TR014-0000 |
| | -5 | | | 42300108-12 | | | |
| 5/32"(4.0mm) | -3 | 42100532-00 | 42200532-10 | 42300532-11 | 42400532-00 | | |
| | -5 | | | 42300532-12 | | | |
| 3/16"(4.8mm) | -3 | 42100316-00 | 42200316-10 | 42300316-11 | 42400316-00 | | |
| | -5 | | | 42300316-12 | | | |
| 1/4"(6.4mm) | -3 | 42100104-00 | 42200104-10 | 42300104-11 | 42400104-00 | | |
| | -5 | | | 42300104-12 | | | |
| | -7 | | | ★42300104-13 | | | |
| 5/16"(7.9mm) | -3 | 42100516-00 | 42200516-10 | 42300516-11 | 42400516-00 | | |
| | -5 | | | 42300516-12 | | | |
| 3/8"(9.5mm) | -3 | 42100308-00 | 42200308-10 | 42300308-11 | 42400308-00 | | |
| | -5 | | | 42300308-12 | | | |
| 1/2"(12.7mm) | -3 | 42100102-00 | 42200102-10 | 42300102-11 | 42400102-00 | | |
| | -5 | | | 42300102-12 | | | |
| 5/8"(15.9mm) | -3 | 42100508-00 | 42200508-10 | 42300508-11 | 42400508-00 | | |
| | -5 | | | 42300508-12 | | | |
| 1"(25.4mm) | -3 | 42110000-00 | 42210000-10 | 42310000-11 | 42410000-00 | | |
| | -5 | | | 42310000-12 | | | |
| 1 1/4"(31.8mm) | -3 | 42110104-00 | 42210104-10 | 42310104-11 | 42410104-00 | | |
| | -5 | | | 42310104-12 | | | |
| 1 1/2"(38.1mm) | -3 | 42110102-00 | 42210102-10 | 42310102-11 | 42410102-00 | | |
| | -5 | | | 42310102-12 | | | |

◎印有★符号的为极厚料用。其针孔尺寸如右图所示。

◎Needle hole dimensions for heavy materials(indicated by a ★) are shown in figure at the right

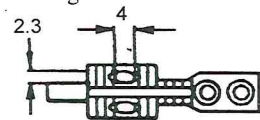


845(标准用) / 845 (Standard)

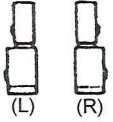


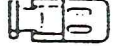
| 针距 Needle Gauge | 分级 Subclass | X-9,10 | X-2 | X-7 | X-5 |
|--------------------|----------------|---|---|--|---|
| | | 针夹 Needle Clamp Assembly  | 针板 Needle Plate  | 送布牙 Feed Dog  | 压脚 Presser Foot Assembly  |
| 1/8"(3.2mm) | -3 | (L)45100108-00 | 42200108-00 | 42300108-01 | 42400108-00 |
| | -5 | (R)45100108-00 | | 42300108-02 | |
| 5/32"(4.0mm) | -3 | (L)45100532-00 | 42200532-00 | 42300532-01 | 42400532-00 |
| | -5 | (R)45100532-00 | | 42300532-02 | |
| 3/16"(4.8mm) | -3 | (L)45100316-00 | 42200316-00 | 42300316-01 | 42400316-00 |
| | -5 | (R)45100316-00 | | 42300316-02 | |
| 1/4"(6.4mm) | -3 | (L)45100104-00 | 42200104-00 | 42300104-01 | 42400104-00 |
| | -5 | (R)45100104-00 | | 42300104-02 | |
| | -7 | | | ★42300104-02 | |
| 5/16"(7.9mm) | -3 | (L)45100516-00 | 42200516-00 | 42300516-01 | 42400516-00 |
| | -5 | (R)45100516-00 | | 42300516-02 | |
| 3/8"(9.5mm) | -3 | (L)45100308-00 | 42200308-00 | 42300308-01 | 42400308-00 |
| | -5 | (R)45100308-00 | | 42300308-02 | |
| 7/16"(11.1mm) | -3 | (L)45100716-00 | 42200716-00 | 42300716-01 | 42400716-00 |
| | -5 | (R)45100716-00 | | 42300716-02 | |
| 1/2"(12.7mm) | -3 | (L)45100102-00 | 42200102-00 | 42300102-01 | 42400102-00 |
| | -5 | (R)45100102-00 | | 42300102-02 | |
| 5/8"(15.9mm) | -3 | (L)45100508-00 | 42200508-00 | 42300508-01 | 42400508-00 |
| | -5 | (R)45100508-00 | | 42300508-02 | |

◎印有★符号的为极厚料用。其针孔尺寸如右图所示。

◎Needle hole dimensions for heavy materials(indicated by a ★) are shown in figure at the right



845 (切线用) / For 845 (Thread Trimmer)

| 针距 Needle Gauge | 分级 Subclass | X-9,10 | X-2 | X-7 | X-5 |
|--------------------|----------------|---|---|--|---|
| | | 针夹 Needle Clamp Assembly  | 针板 Needle Plate  | 送布牙 Feed Dog  | 压脚 Presser Foot Assembly  |
| 1/8"(3.2mm) | -3 | (L)45100108-00 | 42200108-10 | 42300108-11 | 42400108-00 |
| | -5 | (R)45100108-00 | | 42300108-12 | |
| 5/32"(4.0mm) | -3 | (L)45100532-00 | 42200532-10 | 42300532-11 | 42400532-00 |
| | -5 | (R)45100532-00 | | 42300532-12 | |
| 3/16"(4.8mm) | -3 | (L)45100316-00 | 42200316-10 | 42300316-11 | 42400316-00 |
| | -5 | (R)45100316-00 | | 42300316-12 | |
| 7/32"(5.6mm) | -3 | (L)45100732-00 | 42200732-10 | 42300732-11 | 42400732-00 |
| | | (R)45100732-00 | | 42300732-12 | |
| 1/4"(6.4mm) | -3 | (L)45100104-00 | 42200104-10 | 42300104-11 | 42400104-00 |
| | -5 | (R)45100104-00 | | 42300104-12 | |
| | -7 | | | ★42300104-14 | |
| 9/32"(7.1mm) | -3 | (L)45100932-00 | 42200932-10 | 42300932-11 | 42400932-00 |
| | | (R)45100932-00 | | 42300932-12 | |
| 5/16"(7.9mm) | -3 | (L)45100516-00 | 42200516-10 | 42300516-11 | 42400516-00 |
| | -5 | (R)45100516-00 | | 42300516-12 | |
| 3/8"(9.5mm) | -3 | (L)45100308-00 | 42200308-10 | 42300308-11 | 42400308-00 |
| | -5 | (R)45100308-00 | | 42300308-12 | |
| 7/16"(11.1mm) | -3 | (L)45100716-00 | 42200716-10 | 42300716-11 | 42400716-00 |
| | -5 | (R)45100716-00 | | 42300716-12 | |
| 1/2"(12.7mm) | -3 | (L)45100102-00 | 42200102-10 | 42300102-11 | 42400102-00 |
| | -5 | (R)45100102-00 | | 42300102-12 | |
| 5/8"(15.9mm) | -3 | (L)45100508-00 | 42200508-10 | 42300508-11 | 42400508-00 |
| | -5 | (R)45100508-00 | | 42300508-12 | |

◎印有★符号的为极厚料用。其针孔尺寸如右图所示。

◎Needle hole dimensions for heavy materials(indicated by a ★) are shown in figure at the right

